

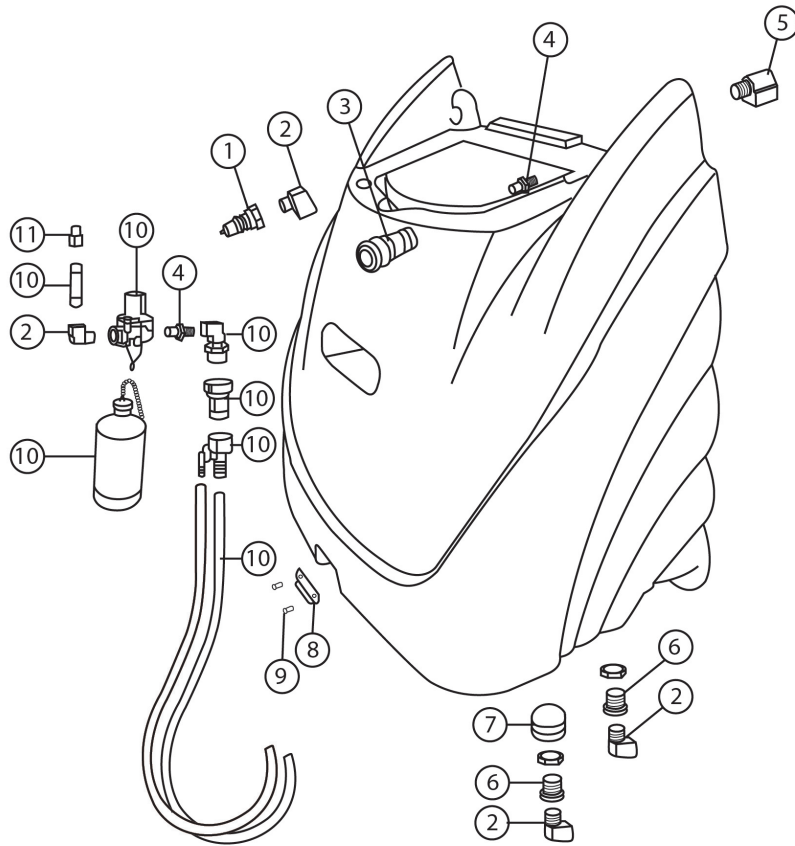


ULTIMATE  
SOLUTIONS  
Together We're Better!

# MACHINE PARTS LIST

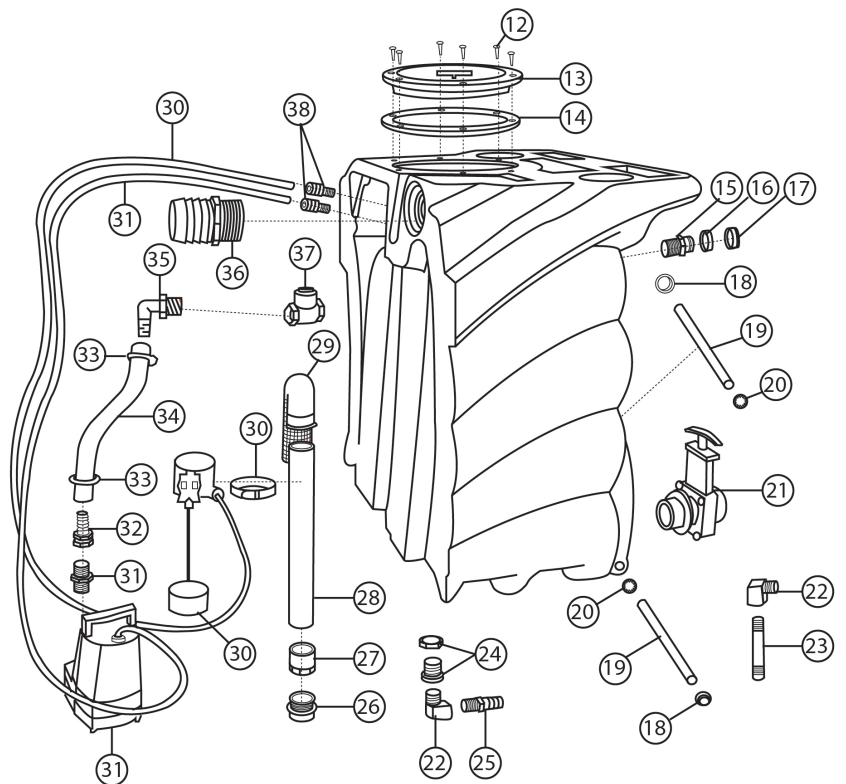
Sniper 1200 PSI Hard Surface Extractor

Model No. 80-5000



**Solution Tank  
Machine Drawing**

**Recovery Tank  
Machine Drawing**



**Sandia**  
PRODUCTS

Your Ultimate Choice in  
Profitable Cleaning Performance!

# MACHINE PARTS LIST

**Sniper 1200 PSI Hard Surface Extractor**

Model No. 80-5000

## Solution and Recovery Tank Parts List

Drawing No.	Item No.	Description	Quantity
1	10-0870	1/4" Male QD	1
2	80-0011-2	90 Degree Street Elbow	3
3	10-0868	1/4" Femal QD	1
4	10-0846	1/4" MPT Hex Nipple	2
5	10-0852	1/4" 90 Degree Brass Elbow	1
6	80-0032	3/8" Bulk Head Fitting	2
7	10-0845	1/4" Strainer	1
8	10-0400-C	Latch for Extractor	1
9	10-0379	8-32 x 3/8" Screws	2
10	80-0107	DEMA Valve	1
11	80-0115-B	3/8" MPT x 1/2" Barb Brass	1
12	10-0419-A	Screw for Extractor Hatch	6
13	10-0804	Hatch Cover	1
14	10-0804-A	Hatch Cover Gasket	1
15	80-0101	3/4" Check Valve	1
16	80-0100	3/4" Hose x 3/4" MNPT	1
17	80-0100	3/4" GHT Cap	1
18	10-0820	End Cap for Hinge	2
19	10-0821	Extractor Hinge	2
20	10-0830	Hinge Keeper	2
21	10-0805	Dump Valve	1
22	80-0011-2	90 Degree Street Elbow	2
23	80-0004	1/4" x 4" Brass Nipple	1
24	80-0032	3/8" Bulk Head Fitting	1
25	80-0115-B	3/8" MPT x 1/2" Brass Barb	1
26	10-0849	1-1/2" ABS Fitting	1
27	80-0008	1.5 PVC Femal Adapter	1
28	10-0416-A	1-1/2" Black ABS Stand Pipe	1
29	80-0012	Shut-Off Assembly for Extractor	1
30	80-0105	Float Switch for Sump Pump	1
31	80-0103	Sump Pump	1
32	80-0108	3/4" Bard x 3/4" SFGHT	1
33	80-0113	1" Hose Clamp	2
34	80-0106	3/4" Hose for Auto-Dump	1
35	80-0102	3/4" MNPT x 3/4" Barb	1
36	10-0806	1-1/2" Grey Hose Bard Fitting	1
37	80-0101	3/4" Check Valve	1
38	80-0104	Strain Relief for Sump Pump	2



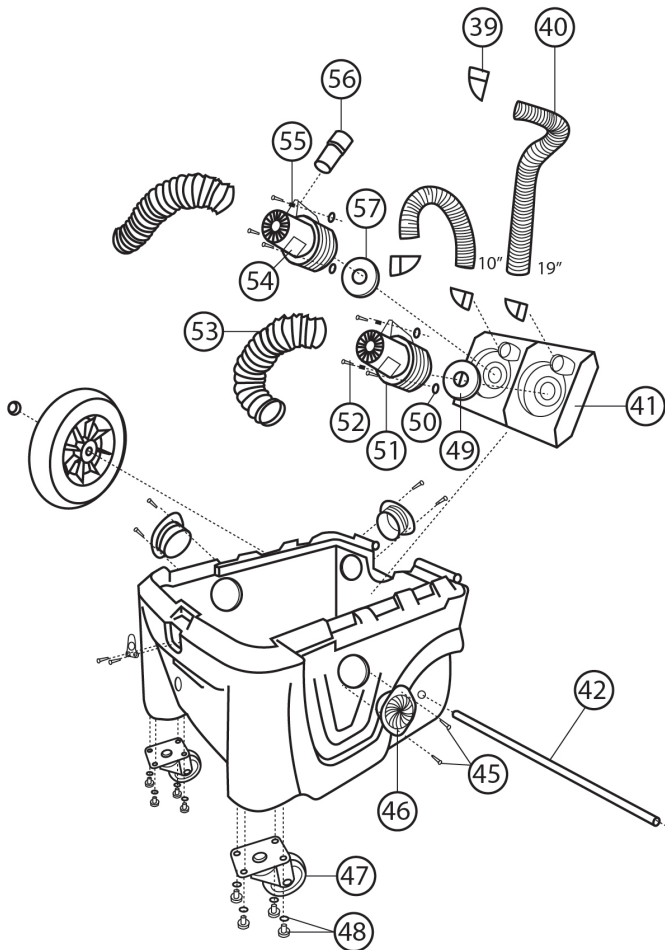
**Sandia**  
PRODUCTS

Your Ultimate Choice in  
Profitable Cleaning Performance!

# MACHINE PARTS LIST

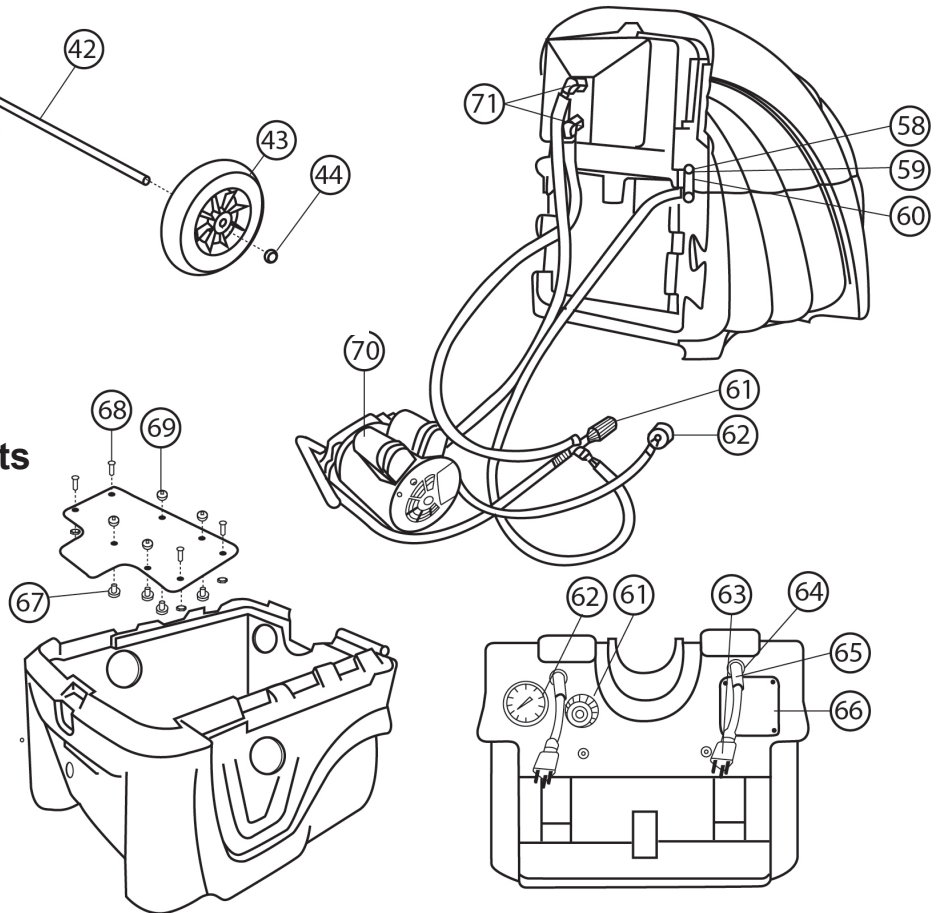
Sniper 1200 PSI Hard Surface Extractor

Model No. 80-5000



**Base with Vacuum Components  
Machine Drawing**

**Base with Pump Components  
Machine Drawing**



**Sandia**  
PRODUCTS

Your Ultimate Choice in  
Profitable Cleaning Performance!

# MACHINE PARTS LIST

**Sniper 1200 PSI Hard Surface Extractor**

Model No. 80-5000

## Base with Vacuum Components Parts List

Drawing No.	Item No.	Description	Quantity
39	10-0848-B	1-1/2" 90 Degree ABS Street Elbow	4
40	80-0003-A	1-1/2" Black Lined Gray Hose	2
41	SN-12-MFLD	Extractor Motor Manifold	2
42	10-0836	19" Axle for Extractor	1
43	10-0807	Wheel for Extractor	2
44	10-0820	End Cap for Extractor Axel	2
45	10-0419-A	Screw for Extractor Hatch	6
46	10-0822	Exhaust Grate	3
47	10-0808	Caster for Extractor	2
48	10-0816	1/4-20 - 1/2" Hex Caster Bolt	8
49	10-1030-S2	2-Stage Extractor Motor Gasket	1
50	10-0204	Motor Mount Back-Up Washer	6
51	10-0811	2-Stage Extractor Motor	1
52	10-0833-L	Manifolt Bolt 10-32 x 1/4" Hex Screw	6
53	T-A001	Cooling Duct	2
54	10-0810	3-Stage Extractor Motor	1
55	80-0116	Spacer for Extractor Motors	6
56	10-0155	Straight Hose Cuff	1
57	10-1030-S3	3-Stage Extractor Motor Gasket	1

## Base with Pump Components Parts List

Drawing No.	Item No.	Description	Quantity
58	10-0832	S/R Strap Bolts	1
59	10-0834	Pump Flat Washer	16
60	10-0831	S/R Bracket for Extractor	1
61	80-0112-UN	12-- PSI Unloader Valve / Regulator	1
62	80-0059-4	1200 PSI Extractor Gauge	1
63	10-0838	Pigtail for Extractor	2
64	10-0850	Strain Relief for Extractor Pigtail	2
65	10-0851	Strain Relief Nut for Extractor Pigtail	2
66	10-0822	Exhaust Grate	1
67	10-0835-N	Nut for Pump Bolt on Extractor	4
68	10-0835-B	Pump Bolt	4
69	10-0834	Flat Washer	4
70	80-0112	1200 PSI Pump Kit (Includes Hoses)	1
71	10-0826	3/4" Hose Clamp	2



**Sandia**  
PRODUCTS

Your Ultimate Choice in  
Profitable Cleaning Performance!