

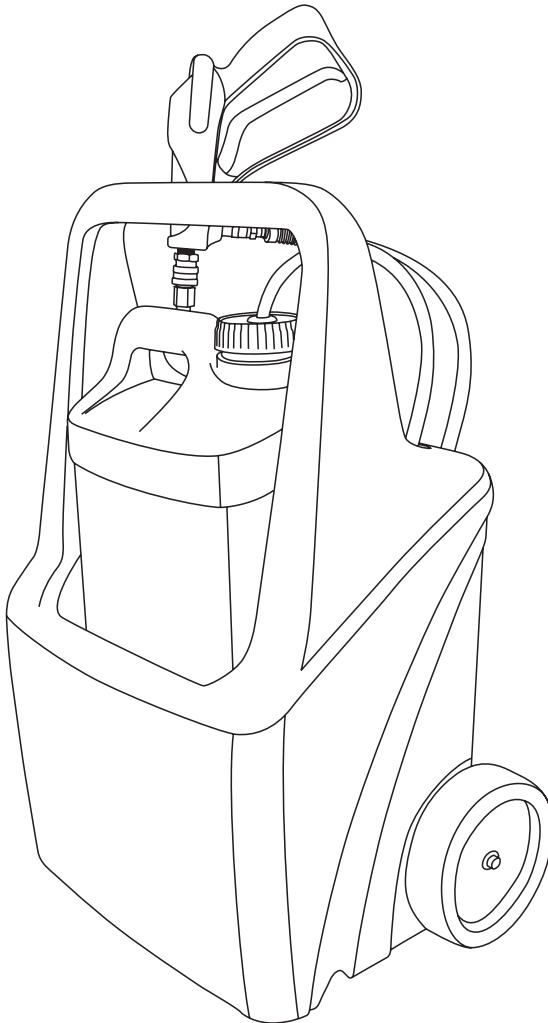
FLEXI PRO

~~~~~

## SPRAYER

by **HYDRO-FORCE**

### 12 Volt Electric Sprayer



# Table of Contents

|                                      |    |
|--------------------------------------|----|
| Feature and Benefits .....           | 3  |
| Specifications.....                  | 3  |
| Complete Sprayer Diagram .....       | 4  |
| Complete Sprayer Parts List.....     | 5  |
| Sprayer Body and Gun Diagram .....   | 6  |
| Sprayer Body and Gun Parts List..... | 7  |
| Sprayer Base Diagram.....            | 8  |
| Sprayer Base Parts List .....        | 9  |
| Wiring - Flexi Pro AS75.....         | 10 |
| Safety and General Maintenance ..... | 11 |
| Operation .....                      | 13 |
| Troubleshooting .....                | 14 |
| Warranty Information .....           | 16 |

**Wide Bottom:** prevents the sprayer from tipping over

**Translucent Bottle:** make it easy to see the level of chemical

**2 1/2 Gallon Bottle:** the sprayer holds more chemical, allowing less frequent refilling.

**Removable Bottle:** allows for quick chemical switching

**Large cap:** enables easy refills and less chance of spills

**15 Feet of Coiled Hose:** Prespray upholstery with sprayer in one position

**Built In Extension Holder:** Keep out of the way on truck

**Large Wheels:** Easy movement on commercial jobs or large rooms

**Extendable Handle:** for easy transportation and movement

**Extra Jets Easily Attached:** move from carpet prespray to upholstery prespray to protector with different jets

**Easy Priming and Rinsing of Lines:** removable jets

**Easy to Fix:** remove 6 screws to service pump or battery

**Sealed Cavity:** pump protected from spills

**Flojet Water Pump:** durable, easy to maintain, self-priming

**Rotomolded Plastic:** proven to last for years

---

## Specifications

### Hose

Length: 15'

Diameter: 3/8" OD / 1/4" ID

### Power Cord detachable

Length: 8 feet

Gauge: 16

### Fuse

Amps: 10

### Pump

Flow: 1 gallon/minute

Pressure: 50 psi

Voltage: 115/102 volt AC

Amperage: 0.6 amp

### Jets

Pre-spray:

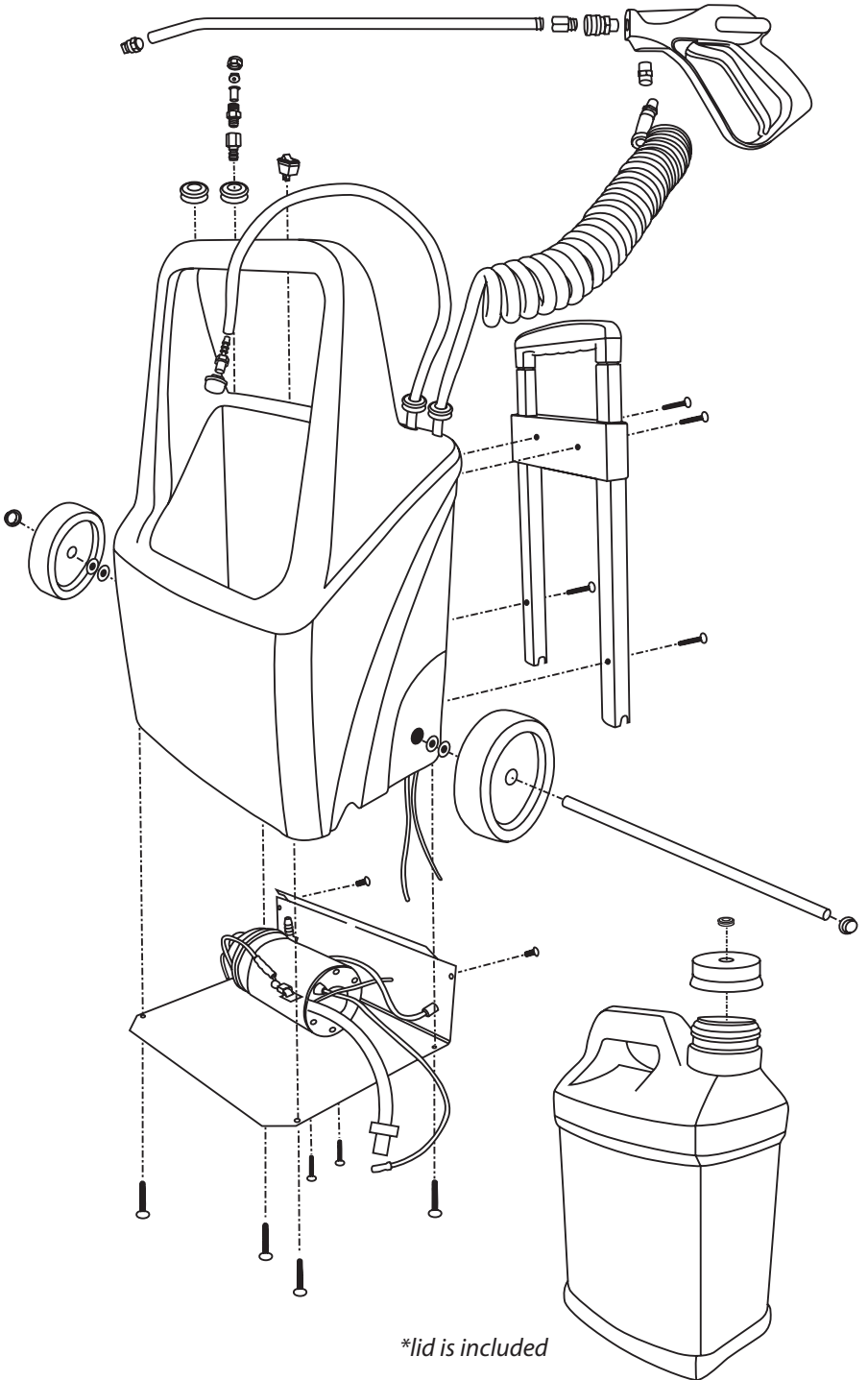
Veejet, Hydro-Force

part # B281, size = 8005

Protectant:

Teejet, Hydro-Force

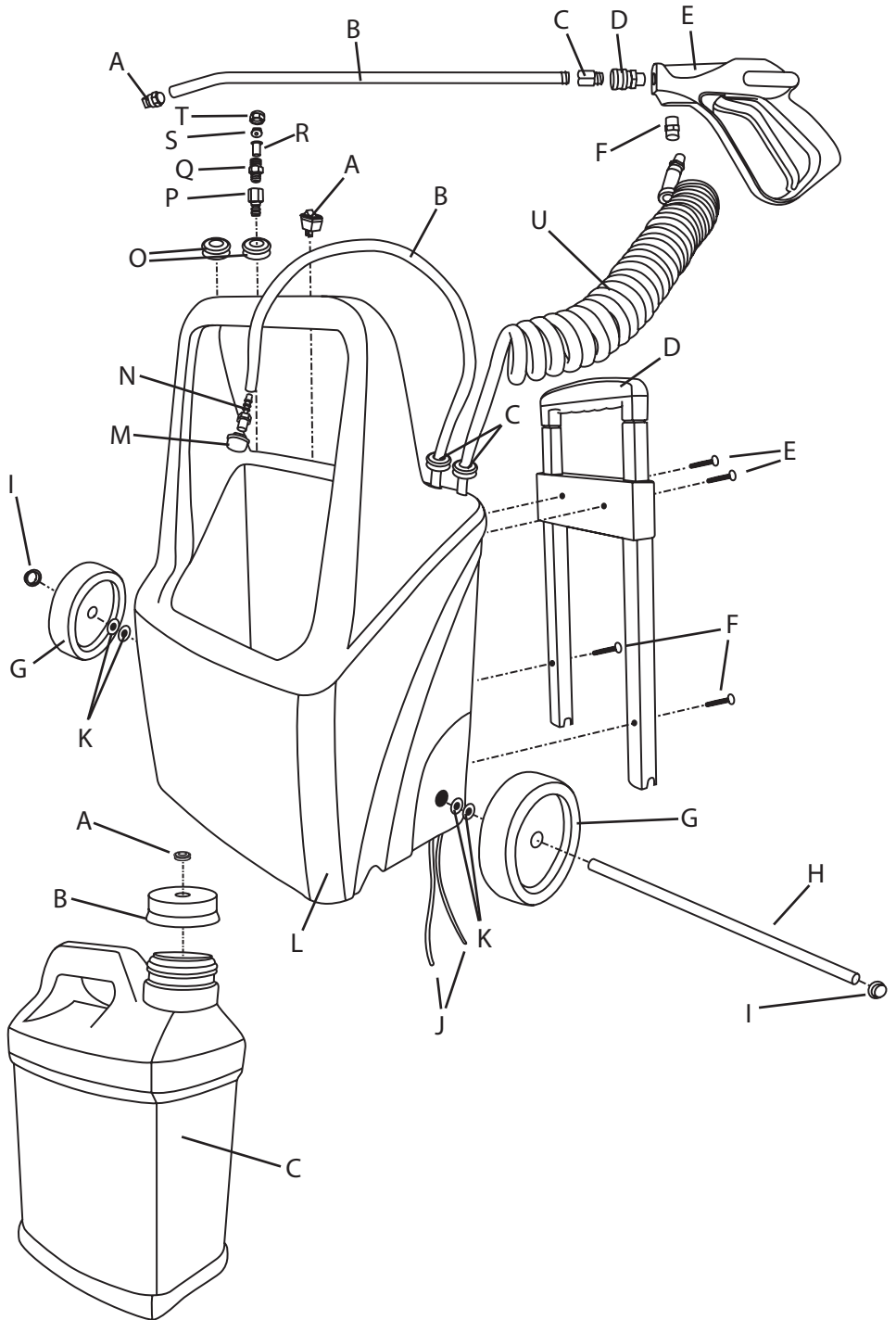
part # B006, size = 6501



*\*lid is included*

# Complete List of Parts

| PART # | DESCRIPTION             | QUANTITY | PART # | DESCRIPTION             | QUANTITY |
|--------|-------------------------|----------|--------|-------------------------|----------|
| AP31   | Water Pump              | 1        | PA080  | #10 Ring Connector      | 2        |
| NM4114 | Coil Hose, 15'          | 1        | XHA07  | 3/8" Aluminum Axle Rod  | 16.75"   |
| 100010 | Spray Gun Valve         | 1        | NM4113 | Molded Plastic Body     | 1        |
| NA0833 | Extension               | 1        | BR335  | Quick Male              | 2        |
| B281   | Veejet 8005 1/4" FPT    | 1        | BR337  | Quick Female            | 1        |
| NM4102 | Bottle                  | 1        | B006   | Upholstery TeeJet 6501  | 1        |
| NM4103 | Cap                     | 1        | NM4116 | Rubber Bushing 3/8"     | 3        |
| NA0840 | Strainer                | 1        | NM4061 | Base Plate Screws       | 10       |
| NA0839 | Barb Nylon              | 1        | NM4080 | Handle Screws           | 2        |
| NA0817 | Tubing 1/4" ID          | 60"      | BR112  | Coupling 1/4" FXF       | 1        |
| NM4104 | Axle Cap                | 2        | NM4115 | Pump Base Bolts         | 2        |
| NM4105 | Wheel                   | 1        | NM4081 | Pump Base Nuts          | 2        |
| NM4110 | Extendable Handle       | 1        | NM5033 | Pump Base Washers       | 2        |
| NM4106 | Base Plate              | 1        | NA0802 | Strainer Body           | 1        |
| NS123  | Hose Clamps             | 4        | NA0803 | Strainer                | 1        |
| NS162  | Elbow Barbs             | 2        | NA0826 | Teejet Cap              | 1        |
| NS125  | Power Recepticle        | 1        | NS129  | Power Cord - Detachable | 1        |
| NM4123 | Screws Power Recepticle | 2        | NM4117 | Rubber Bushing 3/4"     | 2        |
| NM4031 | Nuts Power Recepticle   | 2        | NM4064 | Washer Spacer           | 4        |
| NM4111 | Switch Rocker           | 1        | NS174  | Fuse                    | 1        |
| 100004 | Connectors              | 4        | NS177  | Fuse Casing             | 1        |
| PA175  | Wire Black              | 6"       | BR060  | Splicer 1/4" Barbs      | 1        |
| NM5020 | Wire Red                | 2 feet   |        |                         |          |
| PA177  | Wire Green              | 6"       |        |                         |          |



| NUMBER | PART # | DESCRIPTION | QUANTITY |
|--------|--------|-------------|----------|
|--------|--------|-------------|----------|

### Gun Diagram

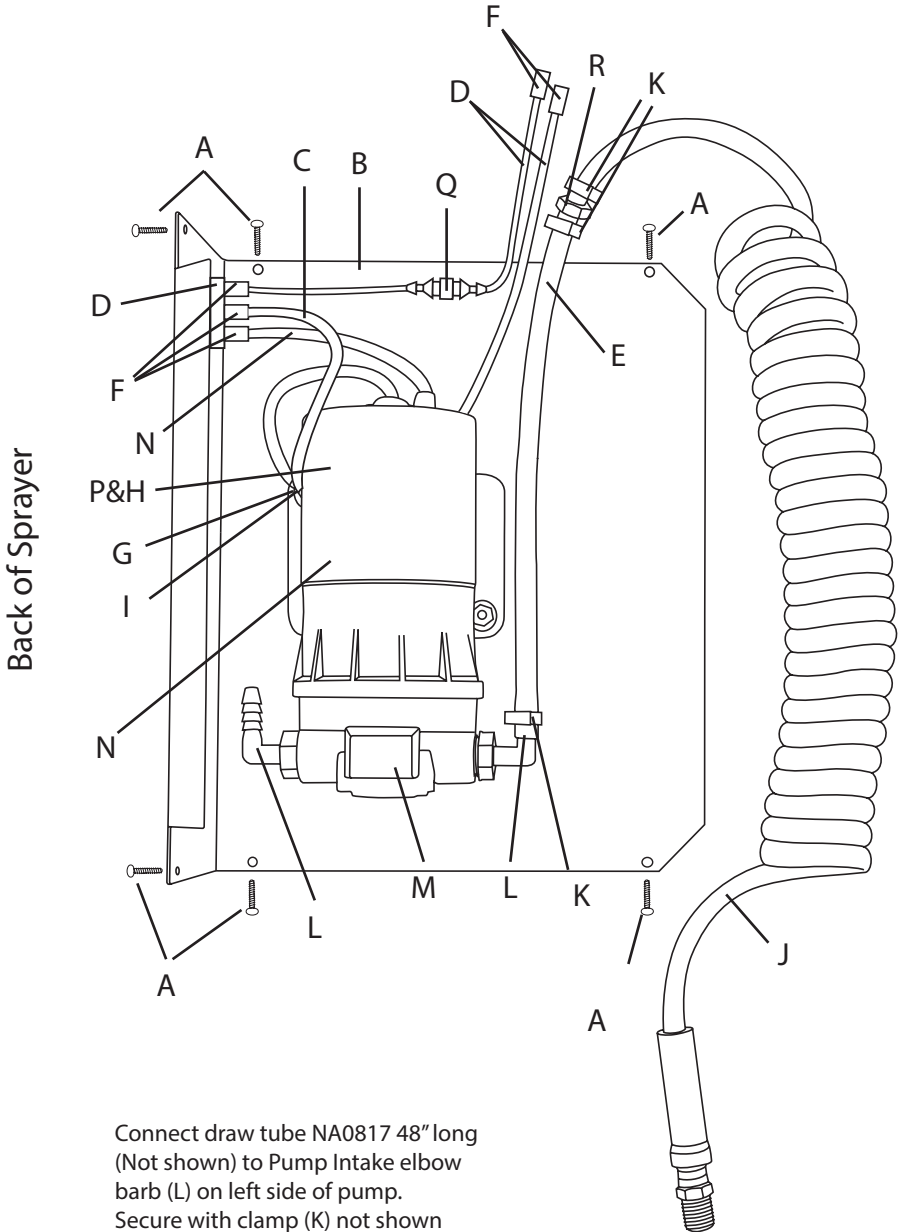
|   |        |                      |   |
|---|--------|----------------------|---|
| A | B281   | Veejet 8005 1/4" FPT | 1 |
| B | NA0833 | Extension            | 1 |
| C | BR335  | Quick Connect Male   | 1 |
| D | BR337  | Quick Connect Female | 1 |
| E | 100010 | Spray Gun - Valve    | 1 |
| F | BR112  | Coupling 1/4" FXF    | 1 |

### Bottle Diagram

|   |        |                 |   |
|---|--------|-----------------|---|
| A | NM4116 | Rubber Bushings | 1 |
| B | NM4103 | Cap             | 1 |
| C | NM4101 | Bottle with Lid | 1 |

### Sprayer Body Diagram

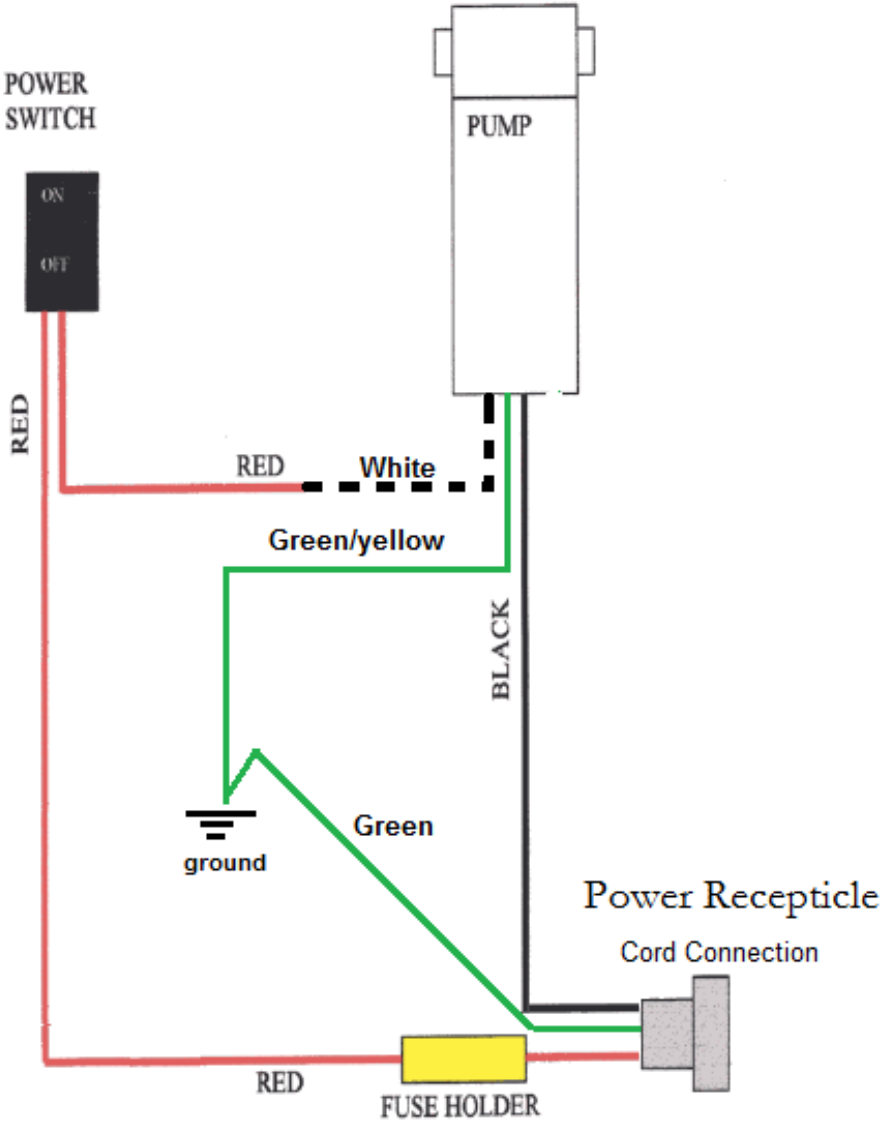
|   |        |                        |        |
|---|--------|------------------------|--------|
| A | NM4111 | Switch Rocker          | 1      |
| B | NA0817 | Tubing                 | 48"    |
| C | NM4116 | Rubber Bushings 3/8"   | 2      |
| D | NM4110 | Extendable Handle      | 1      |
| E | NM4061 | Base Plate Screws      | 10     |
| F | NM4080 | Handle Screws          | 2      |
| G | NM4105 | Wheel                  | 2      |
| H | XHA07  | 3/8" Aluminum Axle Rod | 16.75" |
| I | NM4104 | Axle Cap               | 2      |
| J | NM5020 | Wire Red               | 2 feet |
| K | NM4064 | Washer Spacer          | 4      |
| L | NM4113 | Molded Plastic         | 1      |
| M | NA0840 | Strainer               | 1      |
| N | NA0839 | Barb Nylon             | 1      |
| O | NM4117 | Rubber Bushing 3/4"    | 2      |
| P | BR335  | Quick Connect Male     | 1      |
| Q | NA0802 | Strainer Body          | 1      |
| R | NA0803 | Strainer               | 1      |
| S | B006   | Upholstery TeeJet 6501 | 1      |
| T | NA0826 | Teejet Cap             | 1      |
| U | NM4114 | Coil Hose, 15'         | 1      |





| NUMBER | PART # | DESCRIPTION             | QUANTITY |
|--------|--------|-------------------------|----------|
| A      | NM4061 | Base Plate Screws       | 10       |
| B      | NM4106 | Base Plate              | 1        |
| C      | PA177  | Wire Green              | 6"       |
| D      | NM5020 | Wire Red                | 2 feet   |
| E      | NA0817 | Tubing 1/4" ID Vinyl    | 12"      |
| F      | 100004 | Connectors              | 5        |
| G      | NM5033 | Pump Base Washers       | 2        |
| H      | NM4081 | Pump Base Nuts          | 2        |
| I      | PA080  | #10 Ring Connector      | 2        |
| J      | NM4114 | Coil Hose, 15'          | 1        |
| K      | NS123  | Hose Clamps 3/8"        | 4        |
| L      | NS162  | Elbow Barbs             | 2        |
| M      | AP31   | Water Pump              | 1        |
| N      | PA175  | Wire Black              | 6"       |
| O      | NS126  | Power Recepticle        | 1        |
|        | NM4123 | Screws Power Recepticle | 2        |
|        | NM4031 | Nuts Power Recepticle   | 2        |
| P      | NM4115 | Pump Base Bolts         | 2        |
|        | NS174  | Fuse 1 amp (not shown)  | 1        |
| Q      | NS177  | Fuse Casing             | 1        |
| R      | BR060  | Splicer 1/4" Barbs      | 1        |

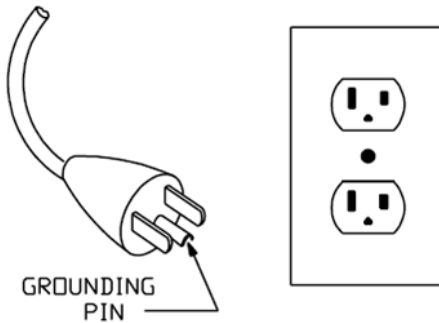
### WIRING - FLEXI PRO SPRAYER AS75



**CAUTION!** This machine is an electrical appliance. Care must be taken to reduce the risk of electrical shock.

## READ AND UNDERSTAND ALL INSTRUCTIONS BEFORE OPERATING

- To reduce the risk of property damage or injury, repairs to electrical systems should only be performed by experienced technicians. Contact your distributor for assistance. Unplug the power cord from the wall outlet before performing any repairs.
- This sprayer shall be grounded while in use to protect the operator from electric shock. The sprayer is provided with a three-conductor cord and a three-contact grounding type attachment plug to fit the proper grounding type receptacle. The green (or green and yellow) conductor in the cord is the grounding wire. Never connect this wire to other than the grounding pin of the attachment plug.
- This sprayer is for use on a nominal 120-volt circuit and has a grounding plug that resembles the plug illustrated in the sketch below. Make sure that the power cord for this sprayer is connected to an outlet with the same configuration as the plug. No plug adapter should be used with this sprayer.



- The power cord supplied with the AS76 FlexiPro sprayer is properly sized to handle the electrical load of the pump and is properly grounded as described above. Any extension cords used with this sprayer must be similarly sized and grounded to assure safe operation. A GFCI protected cord or outlet can be used for additional protection.
- Do not use the AS76 FlexiPro sprayer outdoors, in standing water or on wet surfaces. Do not store the AS76 FlexiPro sprayer in wet conditions. If sprayer is leaking, unplug the power cord from the wall outlet before approaching or touching the sprayer.
- Do not unplug power cord by pulling on the cord. Grasp the plug end when unplugging the cord. Do not pull the FlexiPro sprayer by the cord. If cord or plug is damaged, do not use cord. Replace with new cord or repair as needed before use.

- Run fresh water through the sprayer after each day of use to flush chemical from the pump and hoses.
- Keep chemical containers and strainer screen clean.
- While sprayer and pump are made with chemical resistant materials, and can handle a wide range of chemicals, do not assume chemical compatibility.
- Contact your distributor or the manufacturer if you have questions regarding your chemicals compatibility.
- No warranty, expressed or implied, can be considered where component failure is caused by chemical effects.
- Label all containers to properly identify chemicals.
- Do not use to spray liquids with temperatures above 160°F. (71°C)
- Do not use to spray flammable or combustable liquids.
- Do not use sprayer where flammable vapors are present.
- Pump can run dry without damage.
- If stored in possible freezing conditions the sprayer must be liquid free or winterized with anti-freezing chemical.
- Do not operate without inlet strainer.

1. Fill chemical container with desired chemical and place container in the Flexi Pro Sprayer.
2. Place the chemical feed hose into the chemical container and secure the cap.
3. Connet the Power Cord to the FlexiPro Sprayers Power Jack.
4. Plug the Power Cord into a 115/120 Volt wall outlet.
5. Turn the switch to the ON position and spray into a container until pump is primed. Turn the switch to the OFF position.  
(Properly dispose of the sprayed chemical.)
6. Place the proper size jet on the spray gun for the present application. Move the sprayer to the location where the sprayer is to be used.
7. Turn the switch to the ON position and spray chemical as needed. When the job is completed, turn the switch to the OFF position.
8. Remove the chemical feed hose from the chemical container and replace the solid cap for storage.
9. Place the chemical feed hose into a container filled with water.
10. Turn the switch to the ON position and spray into a container until the chemical is flushed out of the pump and hoses.  
(Properly dispose of the sprayed chemical and water.)
11. Turn the switch to the OFF position.
12. Unplug the Power Cord from the wall outlet, disconnect cord from the FlexiPro Sprayer and return cord and sprayer to the storage area in your van.

| Problem                                      | Cause                                                                                                                                                                                                                                                                                                                                                                              | Solution                                                                                                                                                                                                                                                                                                                                                                                                                                                                              |
|----------------------------------------------|------------------------------------------------------------------------------------------------------------------------------------------------------------------------------------------------------------------------------------------------------------------------------------------------------------------------------------------------------------------------------------|---------------------------------------------------------------------------------------------------------------------------------------------------------------------------------------------------------------------------------------------------------------------------------------------------------------------------------------------------------------------------------------------------------------------------------------------------------------------------------------|
| Pump not turning on - No power               | No power from outlet<br>Fuse blown<br>Cord faulty<br>Faulty switches or internal wiring<br>Pump motor faulty<br>Pump seized                                                                                                                                                                                                                                                        | Reset breaker or move cord to another outlet<br>Check fuse - replace as needed<br>Replace cord<br>Check wiring & test switches - repair as needed<br>Replace pump motor<br>Repair or replace pump head & bearing - Check motor                                                                                                                                                                                                                                                        |
| Not spraying properly                        | Jet clogged<br>Jet worn<br>Chemical hose not submerged in jug<br>Chemical filter clogged (intake)<br>Air leak in chemical hose (intake)<br>Chemical hose restricted (intake)<br>Chemical jug not vented<br>Spray hose restricted (outlet)<br>Spray valve faulty<br>Debris in pump head<br>Pump faulty<br>Faulty switches or internal wiring<br>Chemical too thick to pump properly | Clean or replace jet<br>Replace jet<br>Make sure end of chemical hose with filter is in the chemical<br>Clean or replace filter<br>Repair or replace hose<br>Un-kink, clean out or replace hose<br>Remove cap - enlarge hole in cap for hose<br>Un-kink, clean out or replace hose<br>Repair or replace valve<br>Clean out pump head - Replace valves as needed<br>Repair or replace pump<br>Check wiring & test switches<br>Charge chemicals - Must be similar in viscosity to water |
| Solution dripping from jet with valve closed | Spray valve faulty<br>Check valve faulty<br>Jet worn<br>Extension faulty                                                                                                                                                                                                                                                                                                           | Repair or replace valve<br>Replace check valve<br>Replace jet<br>Replace extension                                                                                                                                                                                                                                                                                                                                                                                                    |



# LIMITED WARRANTY

Your Flexi Pro Sprayer is designed to give you years of reliable service. If a problem should arise, use the troubleshooting section in the operation manual to diagnose and correct the problem if possible.

If you are unable to determine the cause or solution to the problem, contact your distributor or Hydro-Force for assistance.

Hydro-Force warrants the Flexi Pro Sprayer to be free of defects in material and workmanship. This warranty shall extend for one year from the date of purchase.

During the warranty period, Hydro-Force will, at its option, repair or replace components which prove to be defective. This warranty does not provide for replacement of complete units due to defective components. Any costs for transportation or related service labor are not covered in this warranty. Replacement parts are warranted only for the remainder of the original warranty period.

This warranty shall not apply to defects resulting from improper operation, lack of maintenance, unauthorized modification, chemical incompatibility, misuse, abuse, or exposure to freezing temperature conditions. It does not cover normal wear items such as o-rings, valve seals, pump seals, hoses, jets, cords, chemical bottles, or other items which require replacement as a result of ordinary usage.

To obtain warranty service for the Flexi Pro Sprayer, contact your distributor or Hydro-Force. If the sprayer must be returned to Hydro-Force or an authorized service center, the purchaser shall prepay shipping charges for products returned for warranty service. All returns must have a Return Authorization number, issued by Hydro-Force, clearly marked on the exterior of the package. No returned items will be accepted by Hydro-Force without prior authorization.

Hydro-Force makes no other warranty, either expressed or implied, with respect to this product.

The remedies provided herein are the purchaser's sole and exclusive remedies. In no event shall Hydro-Force be liable for any direct, indirect, special, incidental, or consequential damages.

This warranty gives you specific legal rights. You may also have other rights which vary from jurisdiction to jurisdiction.