

Service and Operation Manual



2604 Liberator, Prescott, AZ 86301 1-928-445-3030

Congratulations on your purchase of the **MODEL 370 SS®** Truck mount cleaning unit. This instruction/parts manual is a guide for operating and servicing your **SAPPHIRE SCIENTIFIC** Truck mount unit.

Proper operation and service are necessary to ensure the outstanding performance of this unit. When properly maintained, your Truck mount will have a long and trouble-free life.

The following service methods outlined in this manual are detailed in a manner that operation and servicing may be performed properly and safely. Because service levels vary due to the skill of the mechanic, tools and parts availability, ensure that prior to attempting any repair, you are familiar with this equipment and have the proper tools. Any questions regarding the operation, service, or repair of this unit should be directed to your nearest **SAPPHIRE SCIENTIFIC** dealer.

The headings **WARNING** and **CAUTION** are utilized to warn you that steps must be taken to prevent personal injury or damage to the equipment. Please make sure that you have read and understand these instructions entirely before proceeding with the operation of this unit.

THIS UNIT MUST BE INSTALLED BY THE DEALER THAT YOU PURCHASED IT FROM IN ACCORDANCE WITH THE SAPPHIRE SCIENTIFIC INSTALLATION PROCEDURES.

BE SURE TO FILL OUT THE WARRANTY CARD ONLINE AT WWW.SAPPHIRESCIENTIFIC.COM

Record your units serial number here for future reference or if you should need to contact the factory in the future for any reason.

S/N:

This service and operations manual is written specifically for **SAPPHIRE SCIENTIFIC MODEL 370 SS®** Truck mount Cleaning units manufactured by:

SAPPHIRE SCIENTIFIC
2604 Liberator
Prescott, AZ 86301
USA

The information contained in this document is subject to change without notice and does not represent a commitment on the part of **SAPPHIRE SCIENTIFIC**.

All rights reserved. Copyright 2009 by **SAPPHIRE SCIENTIFIC**. No part of this work may be used or reproduced in any form or means without the express written consent and permission of **SAPPHIRE SCIENTIFIC**.

Published by **SAPPHIRE SCIENTIFIC**.

First printing: May 2009

Revised: August 2010; Rev A

November 2010; Rev B

January 2012; Rev C

June 2012; Rev D

November 2012; Rev E

Printed in USA

MODEL 370 SS® MANUAL
PART# 49-038

SAPPHIRE SCIENTIFIC LIMITED WARRANTY

Sapphire Scientific Model MODEL 370 SS

What Does This Warranty Cover?

This warranty covers the Sapphire Scientific Model 370SS and is provided to the original purchaser only.

How Long Does This Warranty Last?

This warranty runs for:

- Two (2) years from the date of installation on parts and labor (Excluding normal maintenance items.) Factory installed original belts are covered for 500 hours. Water box, recovery tank and frame are covered for five years. All other components including seals, o-rings and electrical components are covered for the entire two year warranty period.

What Sapphire Scientific Will Do:

If a defect in materials or workmanship occurs within the warranty period, Sapphire Scientific at its election will repair or replace the defective part at no charge.

What This Warranty Does Not Cover:

This warranty does not cover or apply to defects due directly or indirectly to misuse, abuse, disassembly, alteration, corrosive chemicals, improper voltage, improper fuel, fire, flood, negligence, accident, improperly or incorrectly performed maintenance or repair, or failure to perform necessary or recommended maintenance or repair (See your Owner's Manual) or if the use of this product is not in compliance with the instructions and specifications for its use. This warranty does not cover normal maintenance items such as air and oil filters, lubricants and tune up parts. Paint is not covered. Water box, recovery tank and frame are covered for five years. All other components including seals, o-rings and electrical components are covered for the entire two year warranty period. We limit all implied warranties to:

- Two (2) years from the installation date on parts and labor. It is strongly recommended that this truck mount be used with, and only with, Sapphire Scientific Chemicals and as directed by label instructions on chemical bottles.

OTHER THAN THE WARRANTIES PROVIDED HEREIN, SAPPHIRE SCIENTIFIC MAKES NO EXPRESS OR IMPLIED, ORAL OR WRITTEN WARRANTIES WITH RESPECT TO THIS PRODUCT OR WORKMANSHIP AND ALL WARRANTIES IMPLIED BY LAW INCLUDING ANY WARRANTIES OF MERCHANTABILITY OR FITNESS FOR A PARTICULAR PURPOSE ARE LIMITED TO THE DURATION OF THIS WARRANTY. **Some states do not allow limitations on how long an implied warranty lasts, so the above limitations may not apply to you.** WE SHALL IN NO EVENT BE LIABLE FOR DEATH, INJURIES TO PERSONS OR PROPERTY OR FOR INCIDENTAL, CONTINGENT, SPECIAL OR CONSEQUENTIAL DAMAGES ARISING FROM USE OF OUR PRODUCTS. **Some states do not allow the exclusion or limitation of incidental or consequential damages, so the above limitation or exclusion may not apply to you.**

How Do I Get Service?

In order to be eligible for service under this warranty you MUST do the following: (a) fill out the warranty registration card on-line within thirty (30) days of the installation of our product; (b) have your dealer write or call for a return material authorization (RMA); and (c) have the serial number and original proof of installation date available. Proof of proper maintenance may be required before warranty is granted.

Contact us at:

Sapphire Scientific
2604 Liberator, Prescott, AZ 86301
Phone: 928-445-3030

If our dealer uncovers a defect we will repair or replace the product, at our election. Ground shipping and transportation costs will be covered by the manufacturer. Returning defective parts to the manufacturer, if required, shall be the responsibility of the purchaser. Warranty may be denied if defective parts are not returned within the allotted 30 days. If it is determined that there is no defect in the product, or that the defect resulted from causes not within the scope of our warranty, then the product will be repaired or replaced only at your request and at your expense and you must bear all shipping costs.

How Does State Law Apply?

This warranty gives you specific legal rights, and you may also have other rights which vary from state to state.

Table of Contents

SECTION ONE: GENERAL INFORMATION	1
1. SAFETY	2
<i>Safety, Specifications, Installation, Fuel, Engine Oil, Chemical, Water Requirements</i>	
2. RECEIVING YOUR TRUCKMOUNT UNIT	8
<i>Dealer Responsibility, Acceptance of Shipment, Equipment Listing, Optional Equipment</i>	
SECTION TWO: INSTALLATION	9
3. INSTALLATION	10
<i>Lifting the Unit into the Vehicle, Positioning the Unit into the Vehicle, Fastening Down the Unit and Waste Tank, Dimensional Diagrams, Installation of Fuel Lines, Trailer Fuel Tank and Fuel Line Installation, Battery Connection, Fire Extinguisher, Console to Waste Tank Connection</i>	
SECTION THREE: OPERATION	14
4. SYSTEMS	15
<i>Water Pumping System, Heat Transfer System, Vacuum System, Chemical System</i>	
5. OPERATION	18
<i>Equipment setup, Instrumentation, Starting Your Unit, Priming the Chemical Pump, Waste Pump, Operation, Cleaning, Upholstery Cleaning, Stair Tool Cleaning, Flood Restoration, Shut Down and Daily Maintenance, Freeze Protection.</i>	
SECTION FOUR: MAINTENANCE and SERVICE	25
6. MAINTENANCE CHART	26
7. MAINTENANCE	27
8. GENERAL SERVICE ADJUSTMENTS	32
9. TROUBLESHOOTING	35
SECTION FIVE: PARTS and ACCESSORIES	41
10. ILLUSTRATED PARTS LISTINGS	42
11. ACCESSORIES	67

SECTION 1: **GENERAL INFORMATION**

1. SAFETY

Safety.....	2
Specifications.....	5
Installation requirements.....	6
Fuel requirements.....	6
Engine oil requirements.....	6
Chemical requirements.....	7
Water requirements.....	7

2. RECEIVING YOUR TRUCKMOUNT UNIT

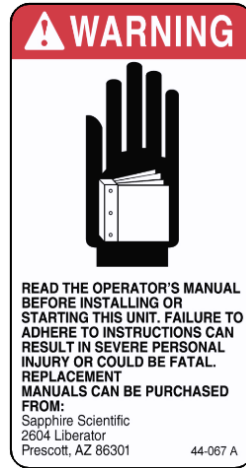
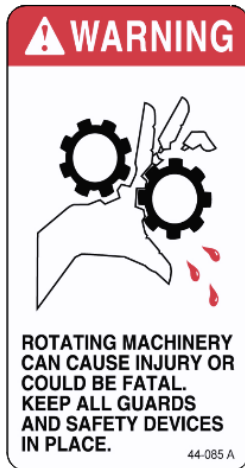
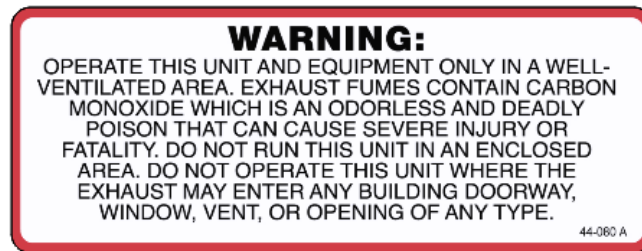
Dealer responsibility.....	8
Acceptance of shipment.....	8
Equipment listing.....	8
Optional equipment.....	8

1. SAFETY

WARNING For Your Safety!

The following **WARNING** labels are on your **MODEL 370 SS[®]** console. These labels point out important **Warnings** and **Cautions**, which must be followed at **all** times. Failure to follow

warnings could result in personal injury or fatality to yourself and/or others or property damage. Please follow these instructions carefully! **DO NOT remove these decals**



SECTION 1

WARNING!

1. Read the operator's manual before starting this unit.

Failure to adhere to instructions could result in severe personal injury or could be fatal.

2. Operate this unit and equipment only in a well-ventilated area.

Exhaust fumes contain carbon monoxide, which is an odorless and deadly poison that can cause severe injury or death. **DO NOT** run this unit in an enclosed area. **DO NOT** operate this unit where the exhaust may enter a building doorway, window, vent or other opening.

3. Gasoline is extremely flammable and its vapors can explode if ignited.

Store gasoline only in approved containers, in well-ventilated, unoccupied buildings and away from sparks or flames. Never carry gasoline or any flammable materials in the vehicle. Fumes could accumulate inside of the vehicle and ignite, causing an explosion.

4. This unit must be operated with the vehicle doors open in order to ensure adequate ventilation to the engine.

5. **DO NOT** operate unit if gasoline is spilled. Do not turn ignition switch until the gasoline has been cleaned up. Never use gasoline for cleaning purposes.

6. **DO NOT** place hands, feet, hair, clothing or any body parts near rotating or moving parts. Rotating machinery can cause severe injury or death.

7. **NEVER** operate this unit without belt and safety guards. High speed moving parts, such as belts and pulleys, should be avoided while the unit is running. Severe injury, fatality or damage may result.

8. **NEVER** service this unit while it is running. High speed mechanical parts as well as high temperature components may result in injury or severed limbs.

9. Engine components will be extremely hot from operation. To prevent severe burns, **DO NOT** touch these areas while the unit is running or shortly after the unit is shut off.

10. **DO NOT** touch any part of the exhaust system while the system is running or for 20 minutes after the unit is shut off. Severe burns could result.

11. **Water under high pressure at high temperature can cause burns, severe personal injury, or fatality.** Shut down unit, allow to cool down and relieve system of all pressure before removing caps, valves, plugs, fittings, filters or hardware.

12. **NEVER** leave the vehicle engine running while the unit is in operation.

13. **Battery acid contains sulfuric acid.** To prevent acid burns, avoid contact with skin, eyes and clothing. Batteries also produce explosive hydrogen gases while charging. To prevent fire or explosion, charge batteries only in a well ventilated area. Keep sparks, open flames, as well as other sources of ignition away from battery at all times. Remove all jewelry prior to servicing batteries. Keep batteries out of the reach of children.

Before disconnecting the negative (–) ground cable, ensure that all switches are in the off position. If on, a spark could occur at the ground connection terminal which could cause an explosion if hydrogen gas or gasoline vapors are present. **ALWAYS** disconnect the negative (–) terminal first.

14. **DO NOT** smoke around the machine. Gas fumes could accumulate and ignite. Battery gases are extremely flammable. This will prevent possible explosions.

SECTION 1

15. **DO NOT** damage the vehicle in any way during the installation. When routing fuel lines **DO NOT** configure the hose in any locations where the hose or vehicle could be damaged. Avoid contact with moving parts, hot surfaces, brake lines, fuel lines, catalytic converters, exhaust pipes, mufflers or sharp objects.

16. **NEVER** cut or splice any of the vehicle fuel lines during fuel line installation. This will result in fuel leaks and potentially dangerous conditions. Use only the provided fuel hose for fuel lines. When going through the vehicle floor with fuel lines, always utilize bulkhead adaptors. This will prevent fuel leaks and ensure that hoses are not punctured by vehicle vibration abrasion.

17. **DO NOT** exceed your vehicles weight limit. The standard 370 installation weighs approximately 1000lbs with an operating weight of over 1600lbs. Make certain that the vehicle has the correct axle rating. This will prevent unsafe or hazardous driving conditions.

18. High back seats are required for all vehicles that units are to be installed for head and neck protection. Metal partitions between the seats and equipment are strongly recommended.

19. **DO NOT** operate this unit without the water supply on and attached. The water pump and other vital components could be seriously damaged if the unit is operated dry. This unit is equipped with a low pressure shut down switch, which should **NOT** be bypassed.

20. Always keep your vehicle clean and orderly. Wands, tools and accessories must be securely stowed while driving the vehicle.

21. All high-pressure hoses must be rated at 3000 PSI and have a heat rating of 250 degrees F. Thermoplastic hoses do not meet this criteria and should never be used. Severe burns and other injuries could result if hoses do not meet these requirements.

22. Ensure that you have received proper training from the distributor that you purchased the unit from prior to operation.

23. This unit produces high pressure and high temperatures. Improper use could result in serious injury.

24. **DO NOT** modify this unit in any manner. Any modification could result in serious injury or fatality.

25. California Proposition 65 Warning: Engine exhaust from this product contains chemicals known by the State of California to cause cancer, birth defects, or other reproductive harm.

SECTION 1

SPECIFICATIONS

Engine Speed	3000 rpm (High Speed No Load) 1400 rpm (Idle No Load)
Water Pump RPM	1479 rpm
Vacuum Pump RPM	3387 rpm
Water Flow Rate	3.4 GPM (maximum)
Water Pump Pressure	1500 PSI (maximum)
Vacuum Relief Valve	14 in. Hg
Waste Tank Capacity (at shut-off)	75 gal.
Console Weight	652 lbs.
Console Weight (with standard waste tank & hoses)	966 lbs.
Operating Weight (full water box & standard waste tank)	1630 lbs.

TORQUE VALUES

Engine Hub Rear	180 inch/lbs. 15 ft/lbs.
Engine Hub Front	180 inch/lbs. 15 ft/lbs.
Vacuum Pump Hub	180 inch/lbs. 15 ft/lbs.

JET SIZING

SAPPHIRE SCIENTIFIC recommends that the total floor tool tip size does not exceed #4. Using larger jet sizes on your **MODEL 370 SS[®]** unit may reduce cleaning temperatures.

SECTION 1

INSTALLATION REQUIREMENTS

Prior to beginning the installation, read the ENTIRE “Installation” section of this manual. Since the **MODEL 370 SS[®]** Truck mount unit weighs (with waste tank and accessories) approximately 970 lbs., please adhere to the following recommendations prior to installing the unit.

1. The unit should **NOT** be installed in any motor vehicle rated less than ½ ton capacity.

CAUTION!

The console and waste tank with accessories must NOT exceed the vehicle’s axle weight limit.

2. If mounting the unit in a trailer, ensure that the trailer is rated for the total weight of the **unit and trailer**. Electric or hydraulic brakes must be provided, and strict compliance with all State and Federal laws must be maintained.

3. If mounting in a trailer, the **MODEL 370 SS[®]** console must be positioned so that it balances properly with respect to the trailer axle. Ten percent (10%) of the unit’s total overall weight (w/o accessories or water) should be on the tongue. This unit has an air cooled engine, and adequate ventilation must be provided to prevent overheating.

4. The vehicle tires must have a load rating in excess of the combined unit and vehicle weight.

5. **SAPPHIRE SCIENTIFIC** does not recommend using any type of flooring materials that absorb water. This condition will result in rust and corrosion of the vehicle floor.

6. Insulation under rubber mats should be removed prior to installation of the unit.

FUEL REQUIREMENTS

Use unleaded fuel ONLY. Use only fresh, clean unleaded gasoline with a minimum octane rating of 87. **Do Not** use high octane gasoline. Gasoline with up to, not exceeding, 10% ethanol is acceptable.

NOTE: Using other gasoline/alcohol blends including E20 and E85 will cause damage to engine components and will void warranty.

ENGINE OIL REQUIREMENTS

Use high-quality oil of at least API (American Petroleum Institute) service class SG, SH, SJ or higher. **Do not use additives.** High quality 30W oil is recommended. A 10-30 synthetic blend may be used after 50 hours of operation for a new or rebuilt engine to allow the piston rings to properly seat. It is never recommended to extend oil change intervals past 100 hours.

Engine oil capacity	1.7 L 1.8 US qts
---------------------	---------------------

Tightening torque	Drain Plug	13.6 N·m 1.4 kgf·m 10.0 lbf·ft
-------------------	------------	--------------------------------------

NOTE: Using lower service class oil or extending oil change intervals longer than recommended can cause engine damage.

SECTION 1

CHEMICAL REQUIREMENTS

The **SAPPHIRE SCIENTIFIC MODEL 370 SS[®]** Truck mount unit's unique last step chemical injection system can be used with a wide variety of water diluted chemical compounds, either acidic or alkaline, depending on the work to be performed. We recommend using only **SAPPHIRE SCIENTIFIC** brand chemistry.

WATER REQUIREMENTS

Because hard water deposits will damage the plumbing and heat exchange systems on this unit, **SAPPHIRE SCIENTIFIC** recommends that a high quality water softener be used in areas where the water hardness exceeds 3½ grains. If a water softener is used, it must have a flow capacity of at least five (5) GPM or greater, without any hose constrictions.

The use of a water softening system will reduce maintenance and reduce down time caused by hard water scaling. It will also enhance the performance of cleaning chemicals, which will result in greater efficiency in lower concentrations

2. RECEIVING YOUR TRUCKMOUNT UNIT

DEALER RESPONSIBILITY

THE **SAPPHIRE SCIENTIFIC** DEALER THAT YOU PURCHASED THIS TRUCKMOUNT CLEANING UNIT FROM IS RESPONSIBLE FOR THE PROPER INSTALLATION OF THIS MACHINE. THE DEALER IS ALSO RESPONSIBLE FOR THE PROPER INITIAL TRAINING OF YOUR OPERATORS AND MAINTENANCE PERSONNEL.

ACCEPTANCE OF SHIPMENT

Your **MODEL 370 SS[®]** Truck mount cleaning unit was thoroughly tested, checked and inspected in its entirety prior to leaving our manufacturing facility. **When receiving your unit, please make the following acceptance check:**

1. The unit should not show any signs of damage. If there is damage, notify the common carrier immediately.
2. Carefully check your equipment and packing list. The standard **SAPPHIRE SCIENTIFIC MODEL 370 SS[®]** unit should arrive with the following items as well as any optional accessories:

EQUIPMENT LISTING

- **SAPPHIRE SCIENTIFIC MODEL 370 SS[®]** console.
- Operation and Service manual.
- Installation mounting plates and bolt down kit.
- Hose clamps for vacuum and fuel hoses.
- Waste tank with shutoff switch.

- Waste tank filter and stainless steel strainer basket.
- 50 ft. of ¼ in. high pressure solution hose with shutoff valve and quick connects.
- 50 ft. of ¼ in. high pressure solution hose with quick connects
- 50 ft. of 2 in vacuum hose.
- 50 ft. of 2.5 in. vacuum hose.
- 1 hose coupler – 2 inch.
- 1 reducing hose coupler – 2-1/2 to 2 in.
- 50 ft. water supply hose with quick connect.

OPTIONAL EQUIPMENT

- Additional 50 ft. 2 in. vacuum hose
 - Part # 18-003
- Additional 50 ft. 2-1/2 in. vacuum hose
 - Part # 18-333
- Additional vacuum hose connectors
 - Part # 21-003
- Additional high-pressure solution hoses
 - Part # 18-000
 - With shutoff valve Part # 18-001
- Demand pump system
 - Part # 68-002
- Automatic Waste Pump-Out Kit
 - Part #68-158

FUEL HOOK-UP KITS BY VEHICLE

- Chevy 1997 to 2002 FI..... 69-003FI
- Chevy 2003 FI..... 69-018FI
- Chevy 2004+ Hook-Up Kit... 69-033
- Chevy Box Truck 2004+..... 69-081
- Dodge 1997 to 2002 FI..... 69-004FI
- Ford FI..... 69-005FI
- Ford 2004 – 2010..... 69-061
- Ford 2011+..... 69-331
- Ford Box Truck 2004+..... 68-077
- Ford Transit Connect 69-261S
- Nissan NV..... 69-376

SECTION 2: **INSTALLATION**

3 INSTALLATION

Lifting the unit into the vehicle.....	10
Positioning the unit into the vehicle.....	10
Fastening down the unit and waste tank.....	10
Dimensional diagrams.....	11
Installation of fuel lines.....	12
Trailer fuel tank and fuel line installation.....	12
Battery Connection.....	12
Fire extinguisher.....	12
Console to waste tank connection.....	13

3. INSTALLATION

WARNING!!!

This unit must be bolted to the floor of the vehicle by an authorized SAPPHIRE SCIENTIFIC DISTRIBUTOR.

LIFTING THE UNIT INTO THE VEHICLE

Because the SAPPHIRE SCIENTIFIC MODEL 370 SS[®] weighs approximately 652 lbs., a forklift is necessary to place the unit into the vehicle. Place the forks under the unit. Using two “C” clamps, secure the console to the forks. Move the unit into desired position.

POSITIONING THE UNIT INTO THE VEHICLE

Vehicles vary in size and openings. Owners have different preferences on where in the vehicle they want their units positioned. SAPPHIRE SCIENTIFIC strongly recommends a side door installation for the MODEL 370 SS[®]. We **DO NOT** recommend a rear door installation.

1. Ensure that enough space is provided to assure adequate engine ventilation as well as room for service and maintenance.
2. Operating weight of the complete installation (which includes water weight) with waste tank and all accessories **MUST NOT** exceed the vehicle's axle weight limit. Please refer to

SPECIFICATIONS in Section 1 for standard unit and waste tank operating weight.

FASTENING DOWN THE UNIT AND WASTE TANK

CAUTION!!!

Prior to drilling any holes in the vehicle floor, ensure that while drilling, you will not damage the fuel tank, fuel lines, or any other vital components which could affect the safety or operation of the vehicle.

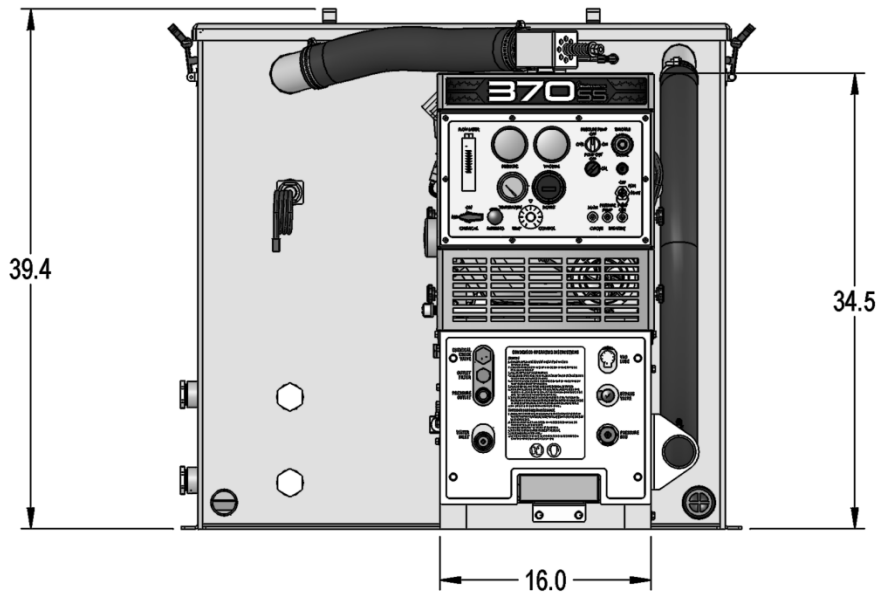
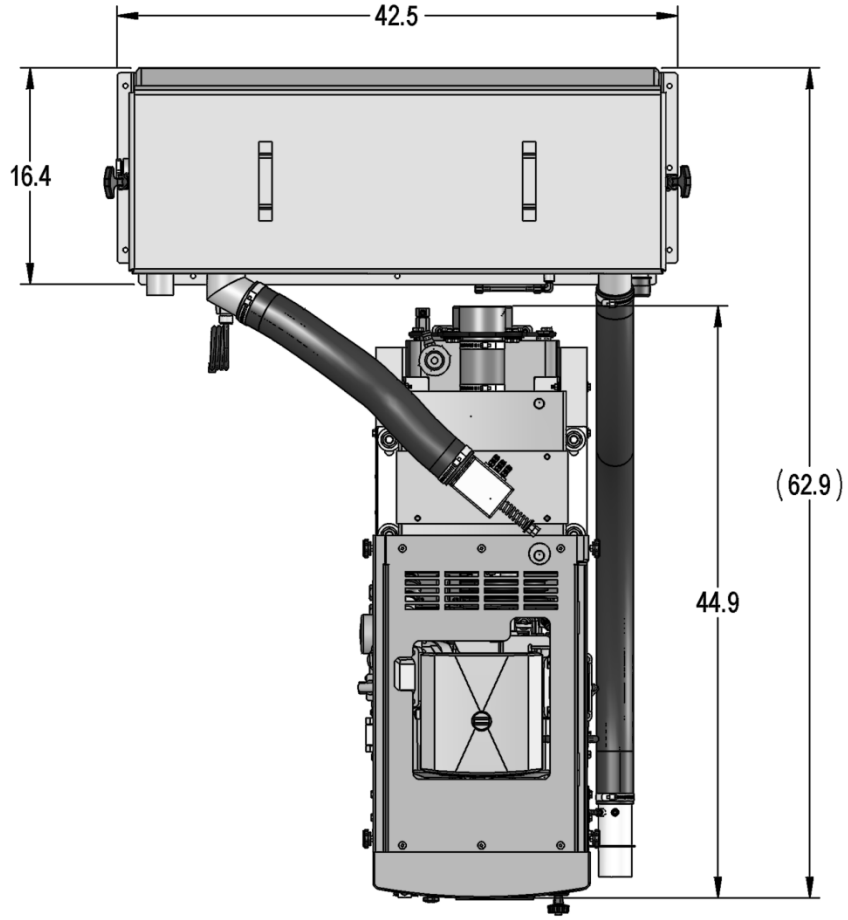
A. The console and waste tank mounting holes will serve as a template. Drill six (6) $1\frac{13}{32}$ in. diameter holes for the console and four (4) $1\frac{13}{32}$ in. diameter holes for the waste tank.

B. Using the provided mounting hardware kit:

1. Insert six (6) $\frac{3}{8}$ -16 \times 4 in. grade 5 hex head cap screws with flat washers through the MODEL 370 SS[®] console mounting holes, and four (4) $\frac{3}{8}$ -16 \times 4 in. grade 5 hex head cap screws with flat washers through the waste tank mounting holes.
2. Install the provided mounting plates underneath the vehicle floor.
3. Screw the provided $\frac{3}{8}$ -16 hex head lock nuts on to the mounting bolts and tighten until the console and waste tank are firmly attached to the vehicle floor.

SECTION 2

DIMENSIONAL DIAGRAM REAR MOUNT TANK



SECTION 2

INSTALLATION OF FUEL LINES



READ THESE INSTRUCTIONS IN THEIR ENTIRETY PRIOR TO PROCEEDING.



The Vehicle fuel lines should NOT be spliced under ANY circumstances. Severe injury or fatality could result.

DO NOT damage the vehicle in any way during the installation. When routing fuel lines **DO NOT** configure the hoses in any location where the hoses or vehicle could be damaged. Avoid contact with moving parts, areas of high temperature, brake lines, fuel lines, catalytic converters, exhaust pipes, mufflers or sharp objects.

TRAILER FUEL TANK AND FUEL LINE INSTALLATION

The following are recommendations for trailer installations:

- A. Strict compliance with all federal and state laws must be maintained.
- B. Use only fuel tanks that are manufactured specifically for gasoline, have proper vented filling caps, and outlet connections that are the same size as the inlet and return connections on the unit.
- C. **DO NOT** install fuel tanks inside any type of enclosed trailer or vehicle.



NEVER carry gasoline or flammable materials in an enclosed trailer or vehicle.

NEVER store any type of flammable material in an enclosed trailer or vehicle.

D. Always mount fuel tanks where they will be protected from any vehicle collision.

E. When installing fuel lines from the fuel tank to the unit, use the proper size fuel line.

BATTERY CONNECTION



Explosive gases, Dangerous gases!

Batteries contain sulfuric acid. To prevent acid burns, avoid contact with skin, eyes and clothing. Batteries also produce explosive hydrogen gases while charging. To prevent fire or explosion, charge batteries only in a well ventilated area. Keep sparks, open flames, as well as any other sources of ignition away from batteries at all times. Remove all jewelry prior to servicing batteries. Keep batteries out of the reach of children.

Before disconnecting the negative (-) ground cable, ensure that all switches are in the OFF position. If ON, a spark could occur at the ground connection terminal, which could cause an explosion if hydrogen gas or gasoline vapors are present. **ALWAYS** disconnect the negative (-) terminal first.

A. Attach the red positive (+) battery cable from the starter solenoid on the console to the positive (+) terminal on the battery and tighten down the nut.

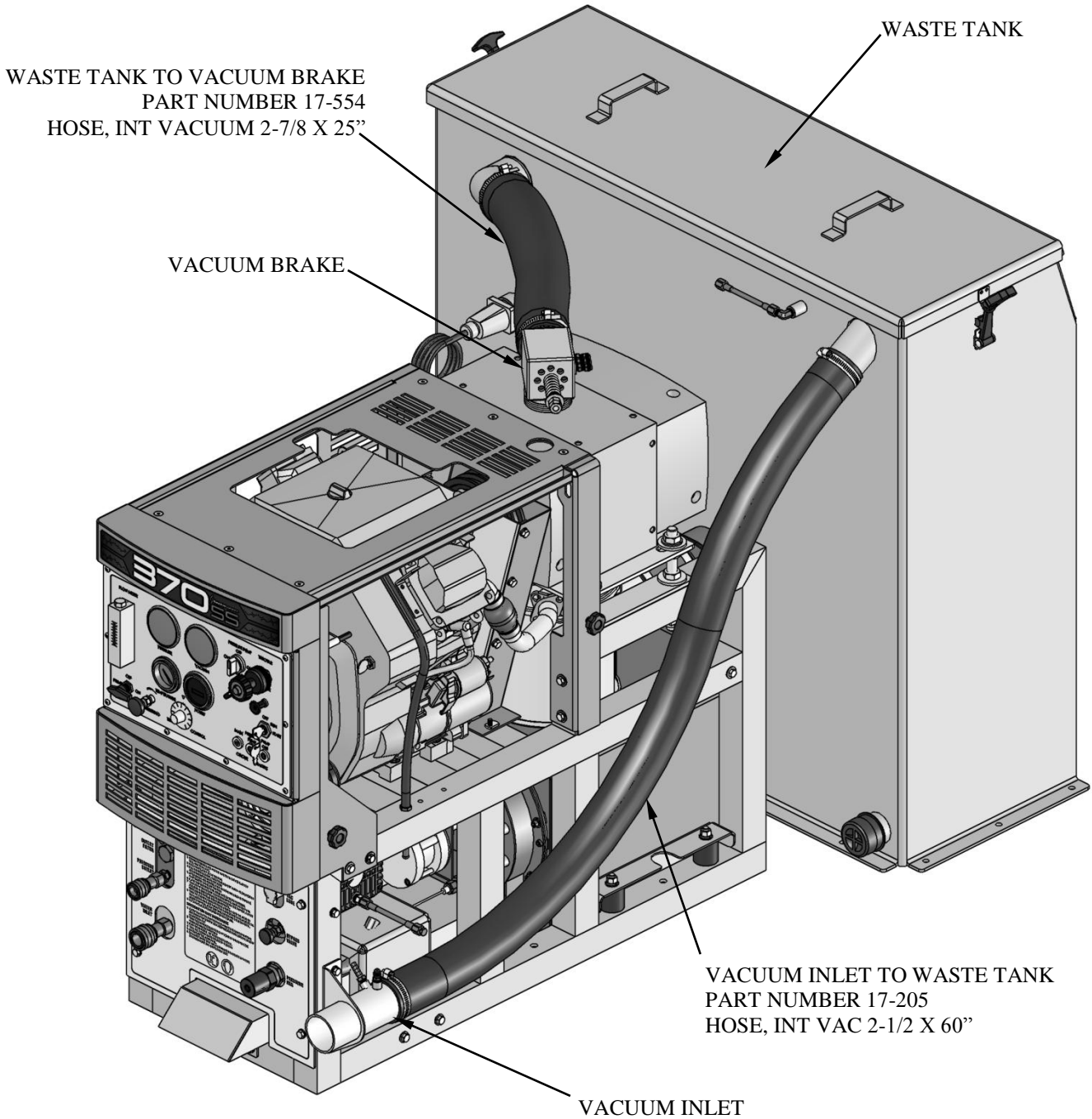
B. Attach the black negative (-) battery cable from the ground on the console to the negative (-) terminal on the battery and tighten down the nut.

FIRE EXTINGUISHER

SAPPHIRE SCIENTIFIC, and many government agencies, recommend that a fire extinguisher rated for A, B, and C type fires be installed into any commercial vehicle.

SECTION 2

CONSOLE TO WASTE TANK CONNECTION



SECTION 3: **OPERATION**

4. SYSTEMS

Water/Heating system.....	15
Vacuum system.....	16
Chemical pumping system.....	17

5. OPERATION

Preparation.....	18
Starting the unit.....	20
Priming the chemical pump.....	20
Automatic waste pump.....	20
Operation.....	21
Cleaning.....	21
Upholstery cleaning.....	21
Stair tool cleaning.....	21
Flood restoration/extraction.....	21
Shut down and daily maintenance.....	22
Freeze protection.....	23

4. SYSTEMS

NOTE: Read and understand this section of the manual entirely before proceeding.

This portion of the manual divides the unit up into systems and describes how each system works. Prior to proceeding into the operations and maintenance sections of this manual it is recommended that you acquire a basic understanding of how the unit functions.

WATER RESERVOIR

The water reservoir is a pressurized vessel. Cold water enters the console through the water inlet connection located on the lower left corner of the lower front panel. The water then flows through the Inlet Pressure Regulator (where incoming water pressure is reduced to 15 psi) and into the water box.

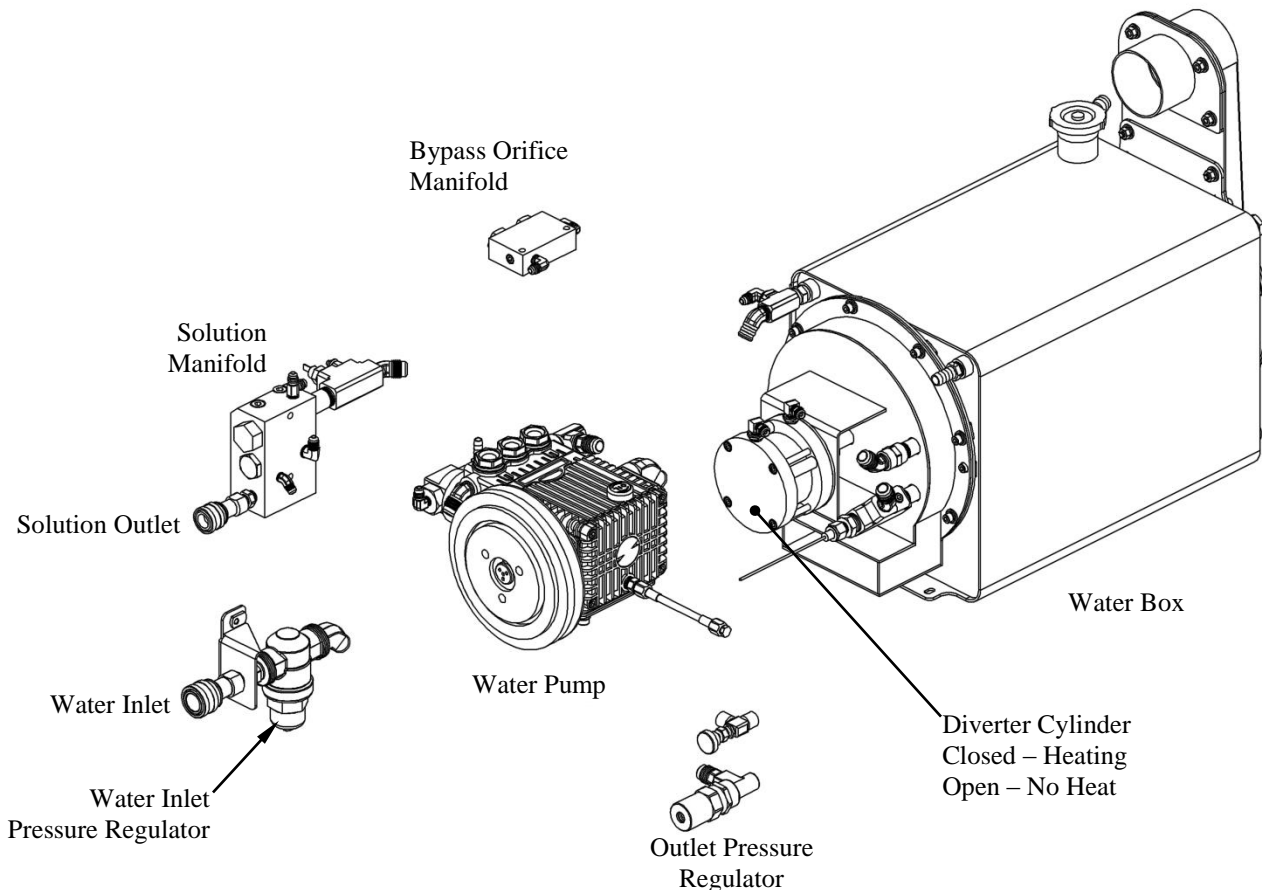
WATER/HEATING SYSTEM

The water is pre-heated in the water box using radiant heat generated by the vacuum blower, engine and coil housing.

The water then flows to the water pump where pressure is increased. From there it flows to the heat exchanger where it travels through finned tubing and is further heated by the vacuum blower and engine exhaust.

The hot water then flows through the check valve manifold that contains a strainer and a check valve. At this point, the chemical injection takes place.

The hot solution mixture of water and chemicals then flows through the solution outlet manifold to the cleaning tool. Solution pressure is controlled by the Outlet Pressure Regulator.



SECTION 3

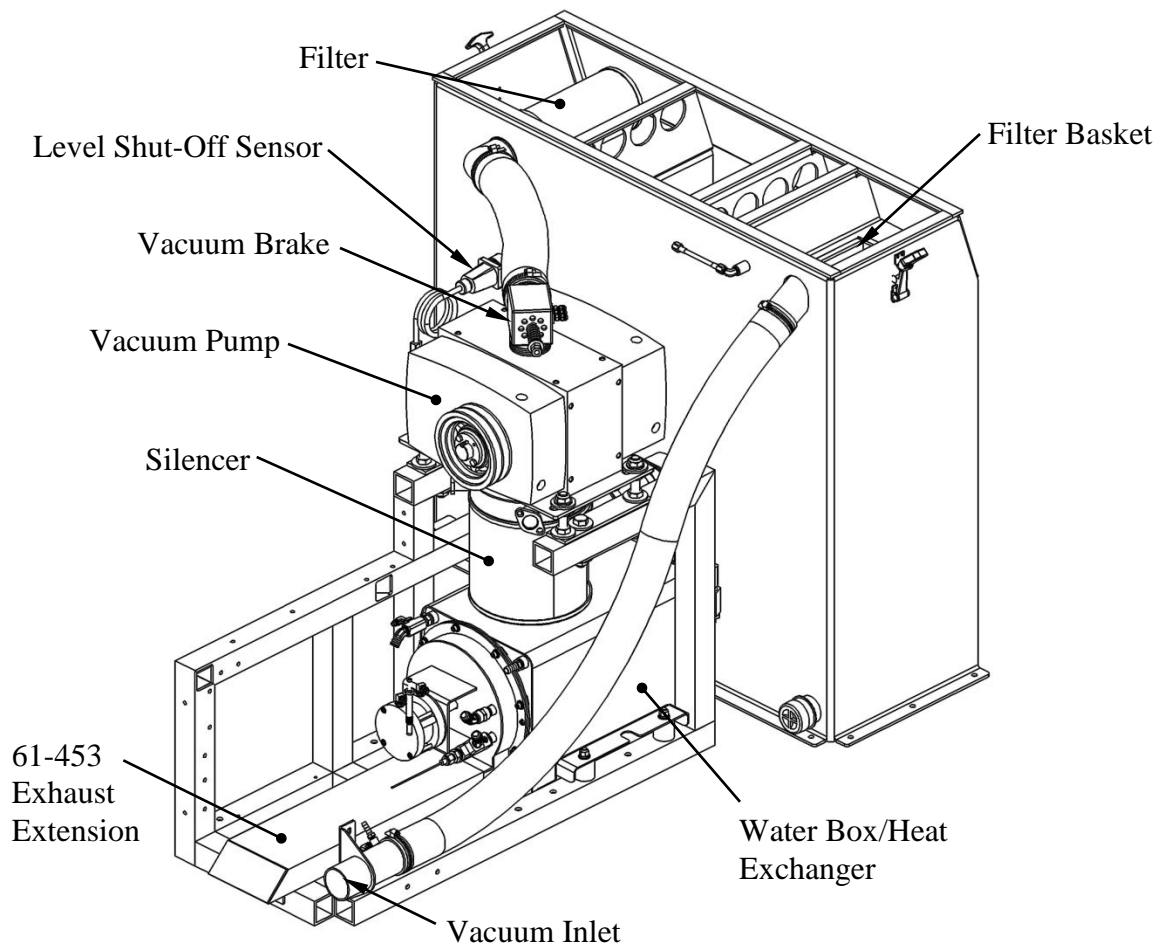
VACUUM SYSTEM

The engine turning an air pump (vacuum pump) generates vacuum. The air is channeled in one side of the vacuum pump, compressed and discharged on the opposite side, creating airflow. This airflow is used to do the work necessary for the extraction process. A vacuum nozzle applied to the carpet surface removes moisture, dirt and spent chemicals. These elements are conveyed back to a separating tank utilizing hoses and the force of air. Particles of moisture and dirt are separated in the vacuum tank using a series of changes in direction and velocity. The air is then filtered and rushes into the vacuum pump.

The vacuum pump also heats incoming air as it is compressed. The hot discharged air is forced downstream into a silencer for noise abatement. Exiting the silencer, this hot air is directed through the heat exchanger

The vacuum pump speed is factory set to maximize vacuum pressure and provide sustained system life. Do not alter the vacuum speed outside the recommended range shown in the Technical Specifications section.

A level shut off sensor is located near the top of the waste tank and will shut down the unit before the tank is at full capacity. This protects the vacuum pump from water damage. **Note:** Waste tank level shut off will not shut the unit off due to high levels of foam. The use of a quality de-foamer is recommended.



SECTION 3

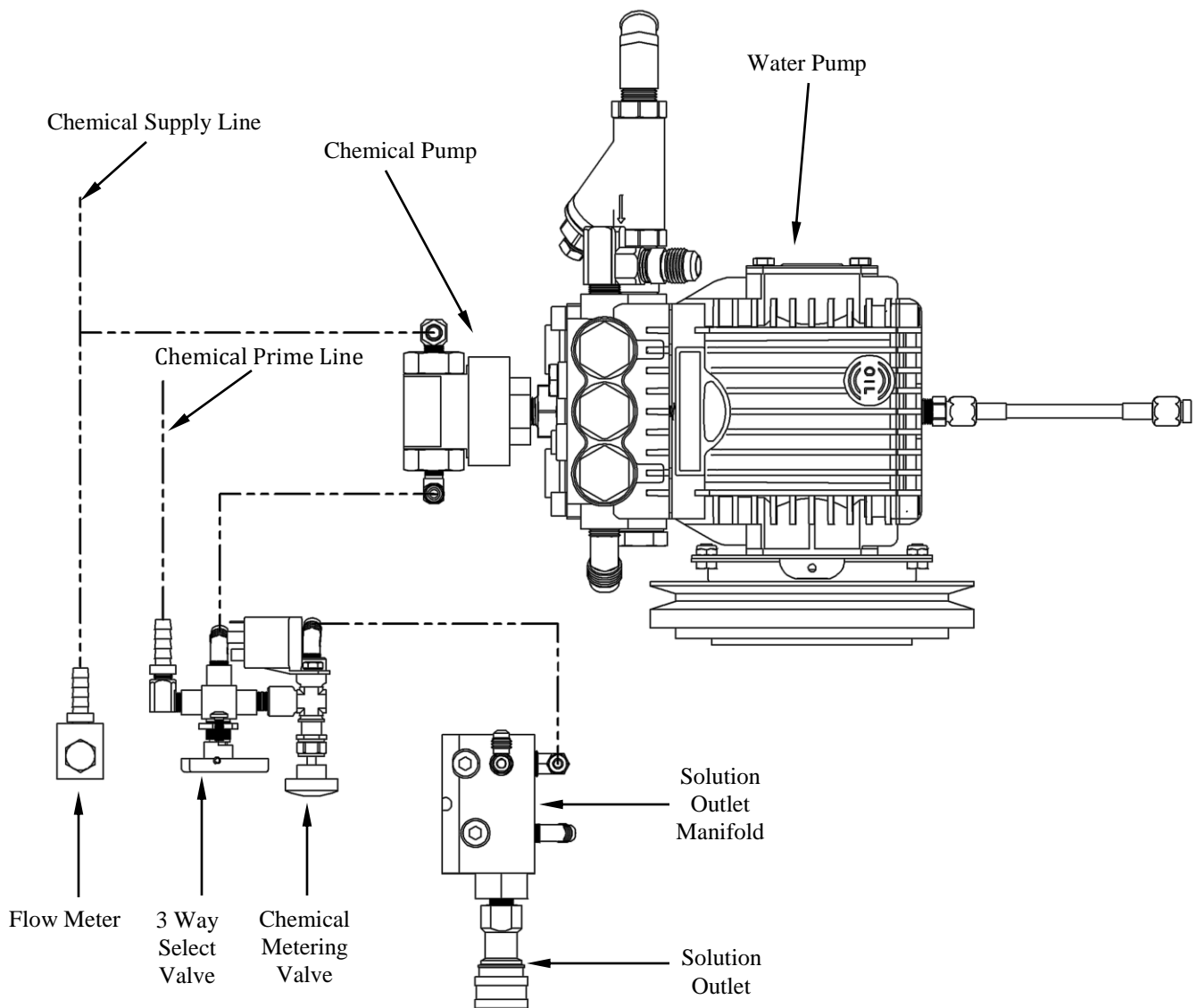
CHEMICAL PUMPING SYSTEM

The chemicals are drawn from the chemical container through a strainer into the flow meter mounted on the control panel. The flow meter indicates the rate of chemical flow.

The chemicals then flow through the stainless steel chemical pump and are injected into a three way selector valve located on the front panel. This valve may be used to turn the

chemical flow **ON**, **OFF**, or to **PRIME** the chemical pump.

The chemicals then flow through the chemical metering valve to the solution outlet. This valve controls the rate of flow of chemical into the cleaning solution, which is indicated on the flow meter.



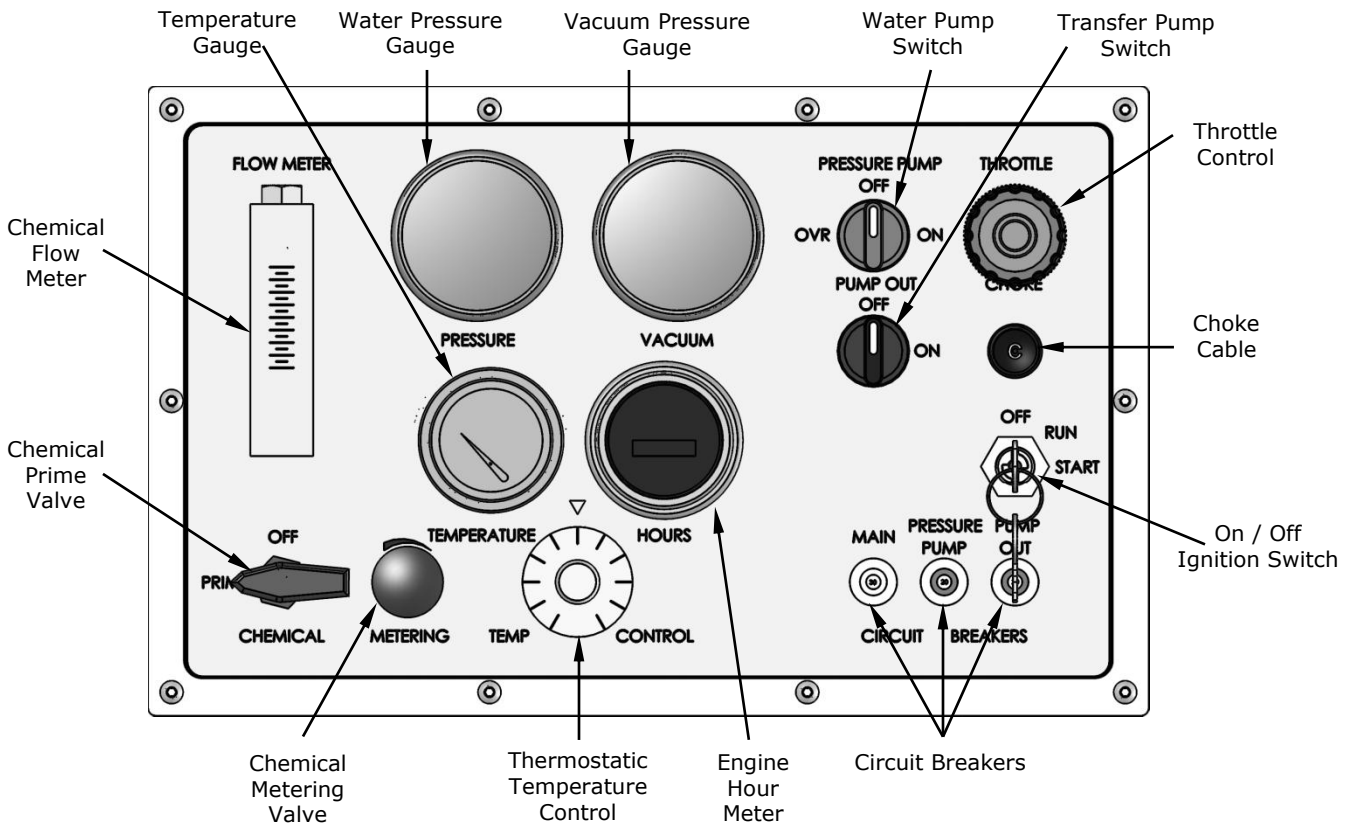
5. OPERATION

PREPARATION

This section of the operator's manual explains how to prepare, start, operate, shut down and maintain your **SAPPHIRE SCIENTIFIC MODEL 370 SS[®]** mobile cleaning unit. The **MODEL 370 SS[®]** unit is easy to operate, however only trained operators should proceed.

WARNING!

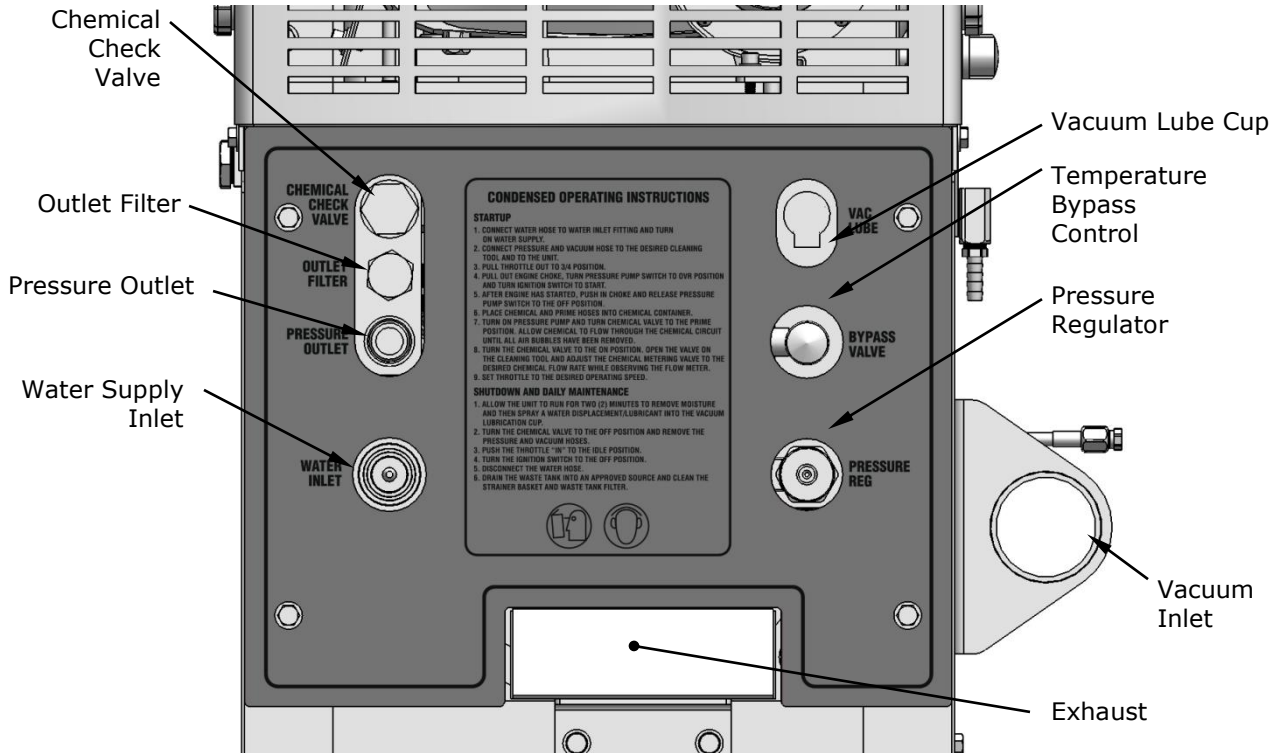
Operate this unit and equipment only in a well ventilated area. Exhaust fumes contain carbon monoxide, which is an odorless and deadly poison that can cause severe injury or death. **DO NOT** run this unit in an enclosed area. **DO NOT** operate this unit where the exhaust may enter a building doorway, window, vent or any other opening.



ATTENTION- VACUUM PRESSURE GAUGE ACCURACY

After shipment, pointer may not rest at zero due to internal case pressure buildup caused by temperature variations. Accuracy may be significantly reduced. To restore gauge to operating condition, move lever of fill plug to the “open” position. If gauge is not mounted upright, move lever to the “closed” position after venting. Repeat procedure at regular intervals to maintain gauge accuracy.

SECTION 3



ENSURE THERE IS ADEQUATE FUEL

Check the fuel tank to ensure there is adequate fuel to complete the job and transport the vehicle. This unit consumes approximately 1 US gallon of fuel per hour, depending on the speed setting.

REMOVE TOOLS FROM THE VEHICLE

Remove any tools, accessories or hoses from the vehicle that you will require.

WATER SUPPLY CONNECTION

NOTE: Prior to connecting your water inlet hose to any supply faucet, flush out the faucet until the water is free of any debris. Also, flush out any debris from your water inlet hose.

1. Connect the water supply hose to the water inlet quick connector on the front of the unit. Connect the hose to the faucet.

NOTE: Never use a waste pump outlet hose as a water inlet hose. Use only clean hoses for water supply.

2. Turn the water supply faucet on. Water will fill the water box.

HIGH PRESSURE HOSE

Before starting the unit, connect the high pressure hose to the solution outlet connection at the front of the unit. Connect the cleaning tool to the opposite end of the pressure hose.



SECTION 3

STARTING THE UNIT

CAUTION!

1. Set throttle control in, pull out engine choke, turn solution pump switch to override and turn ignition key to start.
2. Push in engine choke after engine has started.
3. Set throttle control to maximum.

Note: Do not operate the unit with throttle control set below 50% of maximum throttle setting.

4. Turn the water pump switch to the **ON** position.

NOTE: If the unit does not build water pressure after 5 seconds, check for adequate water supply. See “Loss of Water Pump Pressure in the **Troubleshooting** section of this manual.

VACUUM HOSE

Connect the vacuum hose(s) to the vacuum inlet connection at the front of the unit. Connect the opposite end of the vacuum hose(s) the cleaning tool. Let the unit run for a few minutes with the vacuum inlets partially blocked off to warm up the cleaning solution.

SAPPHIRE SCIENTIFIC recommends that the total floor jet size does not exceed #4. Using larger jet sizes on your **MODEL 370 SS®** unit may reduce cleaning temperatures.

PRIMING THE CHEMICAL PUMP

NOTE: SAPPHIRE SCIENTIFIC recommends that the chemical pump be primed whenever the water pump is on.

1. Insert the chemical inlet tube into the chemical container.

NOTE: When inserting the chemical tube into the chemical container, ensure that it stays submerged, as the chemical pump will not function if air is allowed to enter the inlet line.

2. Turn the 3-way chemical selector valve located on the control panel to the **PRIME** position. The chemical will then flow from the chemical container through the chemical prime tube.

If the pump does not prime, then:

Seal off the vacuum port. The vacuum will quickly draw chemical from the chemical container. After the flow begins, turn the chemical selector valve to **OFF** position and turn the chemical selector valve back to the **PRIME** position and continue the procedure.

3. When the chemical flows with no air bubbles, priming has been achieved. Turn the chemical selector valve from **PRIME** to **METER**. With the cleaning tool open, check the flow meter and adjust the chemical metering valve until the desired rate of chemical flow is achieved.

AUTOMATIC WASTE PUMP

1. If your unit is equipped with an optional automatic waste pump, connect one end of the $\frac{5}{8}$ in. or larger garden hose to the pump-out connection and the other end to an acceptable waste disposal.
2. Turn the pump-out switch located on the front console control panel to the **ON** position. The waste pump will now operate automatically throughout the cleaning period.
DO NOT use an outlet hose that is smaller than $\frac{5}{8}$ in. I.D.
NEVER use a waste pump hose as a water inlet hose

SECTION 3

WARNING!

NEVER dispose of waste water in a storm drain, water way or on ground areas. Always dispose of waste in accordance with Local, State and Federal laws.

OPERATION

After you have completed the previous steps, proceed with the cleaning or restoration operation. Place the throttle control cable to a minimum of 50% of throttle control maximum for cleaning or restoration. A float shut-off switch is located inside of the waste tank. It will automatically shut down the unit if the tank reaches its full capacity. If this occurs, empty the waste tank before continuing. When doing flood extraction, the water pump should be in the **OFF** position.

NOTE: During flood extraction it is recommended the throttle control is set to maximum.

CLEANING

While cleaning, observe the following guidelines:

1. Before cleaning, ensure that the wand nozzles are functioning properly.
 - A. Hold the wand approximately one foot above the surface to be cleaned and open the wand valve. A full even spray should emit from the cleaning nozzles.
 - B. If the nozzles are not showing a full even spray pattern, adjust, clean, or replace the nozzles, if required.
2. Usually, chemical solution is applied during the push stroke of the wand during cleaning, and extraction is done on the pull stroke. For heavily soiled carpets, the wand may be used in a

scrubbing action, with chemical solution applied in both push and pull strokes, provided that the final stroke is a pull stroke with no chemical injection.

UPHOLSTERY CLEANING

1. Upholstery tools have a lower flow rate and smaller orifices. Adjust the thermostatic temperature control to the desired temperature. To maintain proper cleaning temperatures, make certain that the unit has been fully heated up prior to cleaning.

STAIR TOOL CLEANING

1. Adjust the thermostatic temperature control to the desired temperature.

FLOOD RESTORATION/EXTRACTION

CAUTION!

1. Set the throttle control to maximum. Make certain that the **water pump switch** is in the **OFF** position.

SECTION 3

SHUT DOWN AND DAILY MAINTENANCE

1. Flush out the chemical system with fresh water to remove any chemical residue.
2. Remove as much moisture from the vacuum hoses as possible. This will prevent spillage of wastewater in your vehicle when returning hoses.
3. Turn the water supply faucet off. Loosen the water supply hose at the water supply to bleed off any pressure. Unhook the water supply hose and return it to the vehicle.
4. Disconnect the vacuum hose from the front of the unit.
5. Adjust the throttle cable to the idle position.
6. Adjust the thermostatic temperature control to the lowest setting.
7. Allow the unit to run for at least **5 minutes** with the bypass valve open. This will also help to remove any excess moisture from the vacuum pump and cool the unit down.
NOTE: If shutting down for the day: Plug the vacuum inlet on the front of the unit and set the throttle control cable to high. Spray WD-40 (or equivalent) into the **blower lubrication cup**, located on the right hand side of the control panel for **5 seconds**. Let machine run 2 minutes to disperse lube to blower. Unplug the vacuum inlet and remove load. Next, return the throttle control cable to idle position, and let idle for 3 to 5 minutes.
8. Turn the ignition switch to the **OFF** position.
9. Activate the valves on all cleaning tools. This will relieve any remaining pressure. Disconnect the cleaning tools and solution hoses and return them to the vehicle.
10. Drain the waste tank, disposing of wastewater in a suitable and proper location.

WARNING!

NEVER dispose of wastewater in a storm drain, water way or on ground areas. Always dispose of waste in accordance with Local, State, and Federal laws.

11. Remove the strainer basket from the waste tank. Clean out any debris and re-install. Microban QGC cleaner is the best product for cleaning and sanitizing the waste tanks as well as other parts of the system

NOTE: Damage may occur to the vacuum pump. Replacement and maintenance of the filter will prevent rust and corrosion from entering the vacuum pump.

12. Inspect the vacuum inlet filter inside the waste tank **daily**. Remove and clean the filter if there is any lint or debris present.

NOTE: To remove the vacuum inlet filter, grip the plastic hexagon section of the filter. Gripping the filter by the screen will collapse or destroy the filter. After cleaning, grease the threads on the filter and replace the filter. Tighten the filter until hand tight and then loosen ¼ turn. This will make the filter easier to remove when cleaning or replacement is required.

NEVER operate this unit with the filter removed, damaged or improperly installed.

13. At the end of the work day, rinse out the waste tank with fresh water. Microban QGC cleaner as the best product for cleaning and sanitizing the waste tanks as well as other parts of the system

14. Clean the vehicle interior, unit, tools, hoses etc., as needed. Inspect **ALL** equipment and accessories for any damage, leaks, wear, etc.

SECTION 3

FREEZE PROTECTION



If the unit is exposed to freezing weather conditions, the water inside of the unit may freeze, resulting in **SERIOUS DAMAGE to the unit. The following is recommended to prevent this from occurring during the cold weather season:**

1. Always park the unit in a heated building when not in use.
2. While out in operation, avoid long periods of shut down as the unit generates heat while running. Keep the unit running just prior to leaving for the next job.
3. If a heated building is not available, winterize the unit with anti-freeze.

It is not possible to winterize units that have auxiliary water tanks. If the unit has an auxiliary water tank(s), it must be stored in a heated building.

WINTERIZING YOUR UNIT WITH ANTI-FREEZE:

1. Shut off the water supply to the unit and disconnect the water inlet hose from the console.
2. Connect all solution hoses and a tool to the console.
3. Start the unit with the water pump in the **ON** position. Open a valve on the tool and drain the thermal well until liquid stops flowing.
4. Fill the water box with one gallon of 100% glycol based anti-freeze.
5. Start the unit and set the throttle control cable to the idle position. Insure the water pump is on. Open a tool valve until anti-freeze comes out of the tool. Repeat this procedure with **ALL** remaining tools and hoses.

6. After the tools and solution hoses have been filled with anti-freeze, disconnect and store them.

Recover all anti-freeze that comes out of the tools and hoses and store in an approved container. ALWAYS re-use or re-cycle anti-freeze.

7. Prime the chemical injection system with a 100% glycol based antifreeze. Insert the chemical inlet and prime tube into the anti-freeze container. Turn the chemical valve to **PRIME** until anti-freeze comes out of the prime hose. Turn the chemical valve to the **ON** (chemical) position. Ensure that the flow meter indicates flow while the attached tools solution valves are opened. Ensure that all anti-freeze that comes out of the chemical hose goes into an approved container.

After **25 seconds**, turn the chemical valve to the **OFF** position.

8. Allow the unit to run until anti-freeze comes out of the jets. The unit is now winterized.

REMOVING ANTI-FREEZE FROM THE UNIT:

1. Connect the solution hoses to the unit, with a tool attached to the opposite end. Start the unit. Turn the water pump on. Open the tool valve and ensure that the anti-freeze goes into an approved container. Allow the anti-freeze to flow into the container until all anti-freeze has been drained.
2. Remove the cap from the water box.
3. Fill the water box with fresh water and repeat step 1.
4. Connect the water inlet hose to the unit and turn the water supply on. Connect all tools and solution hoses that were winterized to the solution outlet connection.

SECTION 3

REMOVING ANTI-FREEZE FROM THE UNIT CONTINUED:

Open all tool valves and drain the anti-freeze into an approved container until the water runs clear and all of the anti-freeze is purged from the hoses and tools.

4. Insert the chemical prime hose into the approved container. Submerge the chemical hose into fresh water. Turn the chemical valve to the **PRIME** position until the water runs clear through the prime hose. Remove the prime hose from the container.

5. Turn the chemical valve to the **ON** (chemical) position and open attached tools solution valves. This will allow water to flow to the other side of the system.

6. After all of the anti-freeze has been removed, replace the cap, re-sealing the water box. The unit is then ready to operate.

NOTE:

The anti-freeze in your approved storage container will eventually become diluted with water. When the anti-freeze level drops below 70% of the total mixture, properly dispose of it and start over with fresh 100% anti-freeze.



DO NOT drain used anti-freeze on the ground or into storm drains.

Dispose of anti-freeze only in an approved location. Observe Local, State and Federal laws when disposing of anti-freeze.

SECTION 4: **SERVICE and MAINTENANCE**

6. MAINTENANCE CHART

Maintenance Chart	26
-------------------------	----

7. MAINTENANCE

Engine	27
Vacuum Pump	28
Water Pump	28
Vacuum Inlet Filter	29
Drive Belts, Pulleys and Hubs	29
Strainer Basket	30
Check Valve (Outlet)	30
Chemical Pump, Chemical Metering System	30
Pressure Regulator	30
Vacuum Hoses	30
Battery	30
High Pressure Solution Hoses	31

8. GENERAL SERVICE ADJUSTMENTS

Engine	32
Vacuum Relief Valve	32
Water Pump Drive Belt	32
Solution Outlet Check Valve	32
Chemical Pump	33
Packing Nut Adjustment, Chemical Metering and Selector Valves	33
Pressure Regulator	34

9. TROUBLESHOOTING

Engine	35
Blower / Vacuum Pump	36
Water Pump	37
Chemical System	39

6. MAINTENANCE CHART

Engine	Daily	Check engine oil level.** Fill to proper level.
Vacuum Pump	Daily	Spray WD-40 (or Equivalent) into the lubrication cup for 5 seconds.
Water Pump	Daily	Check water pump oil level.*** Fill to proper level.
Vacuum Inlet Filter	Daily*	Inspect filter, clean and or replace if required.
Waste Tank Strainer Basket	Daily	Empty and clean stainless steel basket.
Vacuum Hoses	Daily	Rinse with fresh water.
Vacuum Pump	Daily	Check Oil level
Waste Pump-Out (Optional)	Daily*	Inspect and remove any debris or sediment.
Engine	Weekly	Check air cleaner for damaged, dirty, or loose parts.
Engine	Weekly	Inspect air intake and cooling areas. Clean if required.
Pump Inlet Filter	Weekly	Clean and inspect.
Battery	Weekly*	Check fluid level. Fill with distilled water only. Do not overfill.
Engine	Monthly	Inspect drive belts for wear. Replace as needed.
Check Valve Strainer	Monthly*	Clean and remove any debris.****
High Pressure Solution Hoses	25 Hours	Inspect for wear, damage, or impending rupture. Replace if damaged.
Belts	25 Hours	Re-tension all belts*****
Belts	100 Hours	Re-tension all belts*****
Engine	100 Hours	Change engine oil and filter.**
Vacuum Break	100 Hours	Check and adjust vacuum relief valve to 14” Hg if needed.
Pressure Regulator	100 Hours	Lubricate o-rings. Use only o-ring lubricant part # 13-003.
Battery	100 Hours	Clean battery terminals.
Engine	200 Hours	Check spark plugs and clean if necessary.
Engine	200 Hours	Clean engine air filter.
Chemical Metering System	200 Hours	Inspect packing nut on selector and metering valve. Adjust as needed.
Engine	500 Hours	Replace in-line fuel filter.*****
Water Pump	500 Hours	Change crankcase oil.***
Pulleys and Hubs	500 Hours	Check pulley and hub set screws for proper torque.*****
Chemical Pump	500 Hours	Change diaphragm and check valves. Inspect disk.
Belts	1000 Hours	Replace all belts.
Engine	1000 Hours	Replace spark plugs.
Vacuum Pump	1000Hours	Drain, flush, and replace oil.*****
Check Valve	1000 Hours	Check Teflon seat for abnormal wear or debris. Replace as needed.
Engine	1000 Hours	Replace air filter element.

To maximize the operating life and performance, use only recommended oils, filters and greases.

*Or as often as required.

Change engine oil and oil filter after **first 5 to 8 hours of operation.

***Change water pump crankcase oil after **first 50 hours** of operation

****Inspect after **first week** of operation, and remove any debris present. Inspect again after **2 to 4 weeks**.

*****Check pulley and hub set screws after **first 50 hours** of operation, and again at **100 hours** of operation.

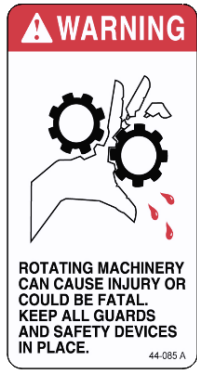
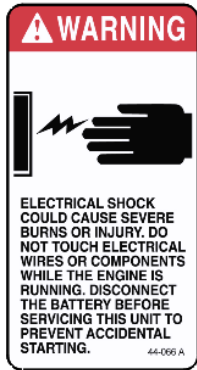
*****Or every **6 Months**. Whichever comes first.

*****Or **Yearly**. Whichever comes first.

*****Retention all belts after first **25 hours** then at every **100 hours** of operation.

7. MAINTENANCE

This section of the operator’s manual contains the service and maintenance information for the **MODEL 370 SS®** unit. A planned preventative maintenance program will ensure that your **SAPPHIRE SCIENTIFIC MODEL 370 SS®** has optimum performance, long operating life, and a minimum amount of down time.



! WARNING!

DO NOT attempt to service this unit while it is running. High speed parts as well as high temperature components may result in severe injury, severed limbs, or fatality.

Replace the in-line fuel filter **every six months**.

NOTE: Additional engine service information can be obtained from the provided Kohler Operation and Maintenance manual. If service or repair is required, contact an authorized

NOTE: Refer to the hour meter as a guide for coordinating a maintenance schedule.

ENGINE

1. Check the engine oil level daily. Ensure that the proper oil level is maintained. **NEVER** overfill.
2. Change the oil after the first **5 to 8 hours** of operation. Thereafter, change oil and oil filter every **50 to 100 hours** of operation. **USE ONLY KOHLER BRAND OIL FILTERS. USE OF ANY OTHER TYPE OF OIL FILTER WILL VOID ENGINE WARRANTY.**

Use high-quality oil of at least API (American Petroleum Institute) service class SG, SH, SJ or higher. **Do not use additives.** High quality 30W oil is recommended. A 10-30 synthetic blend may be used after 50 hours of operation for a new or rebuilt engine to allow the piston rings to properly seat. It is never recommended to extend oil change intervals past 100 hours.

Engine oil capacity	1.3 L 1.4 US qts
---------------------	---------------------

Tightening torque	Drain Plug	13.6 N·m 1.4 kgf·m 10 lbf·ft
-------------------	------------	------------------------------------

NOTE: Using a lower service class oil or extending oil change intervals longer than recommended can cause engine damage.

3. Check the spark plugs every **200 hours** and clean if necessary. Replace spark plugs every **1000 hours**. **NEVER** sandblast spark plugs. Spark plugs should be cleaned only by scraping or wire brushing.
4. Clean the engine air filter element every **200 hours**. Replace the element every **1000 hours**. Kohler Service Center. They will require the serial number of the engine.

SECTION 4

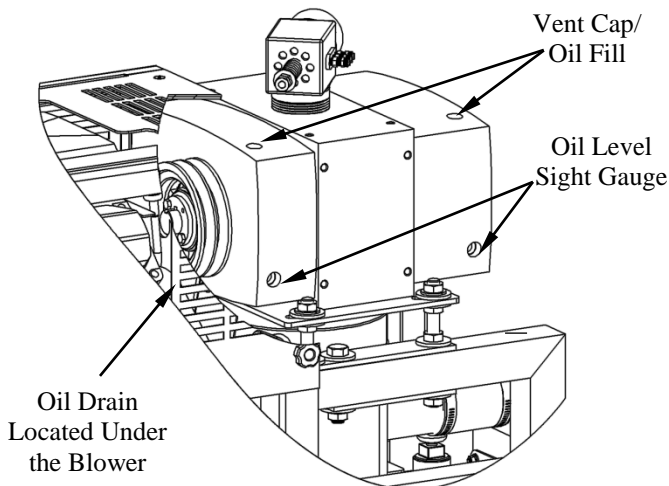
VACUUM PUMP

NOTE: Refer to the provided Vacuum Pump Operation and Service Manual for specific instructions.

Lubriion: **SAPPHIRE SCIENTIFIC** recommends that you use only AEON PD-XD Synthetic Blower Lubricant in both sides of the vacuum pump for all operating temperatures. AEON PD-XD is formulated specifically for positive displacement blower service to provide maximum blower protection at any temperature.

NOTE: AEON PD-XD (Part # 13-004) is the only oil that **SAPPHIRE SCIENTIFIC** puts in the vacuum pump at the factory. Adding petroleum oil to synthetic oil is **NOT** recommended.

1. Check the oil level **daily** on both sides to ensure they are at the proper level. Too little oil will damage and ruin the bearings and gears. Too much oil will result in overheating.



2. A lubrication cup has been provided at the front of the console, to prevent rust from building up inside of the vacuum pump.

Run the unit for at least **2 minutes** to remove any moisture from the vacuum pump. Then, spray WD-40 (or Equivalent) into the lubrication cup for **5 seconds** while the unit is running and the vacuum inlet port is sealed. This procedure should be done at the end of **every working day**.

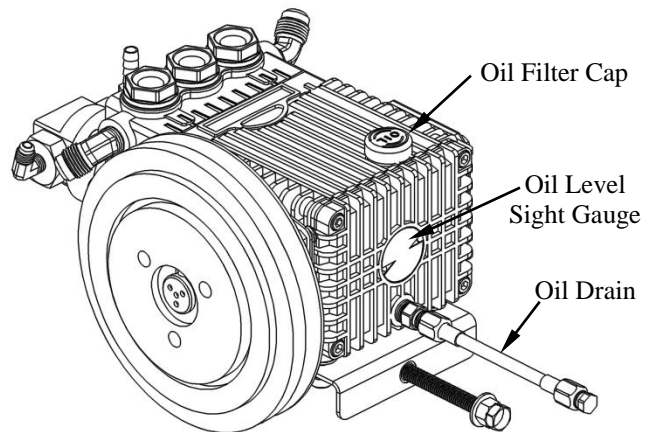
3. Drain, flush and replace the oil every **100 hours or six months, whichever comes first**.

NOTE: Two drains are on your vacuum pump. Ensure that both sides of the vacuum pump are filled to their proper level when servicing.

WATER PUMP

Refer to the provided Water Pump Operation Manual for specific instructions.

1. Check the crankcase oil level **daily** to ensure the proper level. If the level has dropped, check for the source of leakage and repair.



2. After the first **50 hours** of operation, change the crankcase oil with Industrial Pump Oil, (Part # 13-030). Change the crankcase oil every **500 hours** thereafter.

SECTION 4

Vacuum Pump:

Belt Replacement Procedures for Model 370:

- 1) Disconnect the negative battery cable
- 2) Remove hose from waste tank to vacuum pump
- 3) Remove hoods
- 4) Remove top panel (6 screws)
- 5) Remove left and right hand belt guards
- 6) Loosen all 4 blower mounting nuts
- 7) Loosen clamps on silencer hose
- 8) Slide the blower back (away from engine)
- 9) Lower front 2 nuts located under the front of blower mounting plate approximately 1/2"
- 10) Tip the back of blower up
- 11) Remove all belts. Install new belts
- 12) Reverse procedures to install new belts
- 13) After belts have been installed, check for proper tension and alignment. Do this using a belt gauge. Set deflection to 1/8"; 10-12 lbs tension
- 14) Check pulleys for alignment using a straight edge (example: 1/2" key stock). Make sure pulley flange touches on 2 places on each pulley (4 total places)
- 15) Estimated time, 2 hours

VACUUM INLET FILTER

1. The vacuum inlet filter in the waste tank should be inspected and cleaned **daily**.



When removing the vacuum inlet filter, grip the plastic hexagon section of the filter. Grasping filter by the screen will damage or destroy the filter. Applying a grease to the threads will allow easier removal of filter when cleaning or replacement is required.

DRIVE BELTS, PULLEYS and HUBS

Check pulley set screws and hub screws after the first **25 hours** of operation and again at **100 hours**. Re-torque these screws with a torque wrench. Follow the torque values on the following table. Check pulley set screws and hub screws every **500 hours** thereafter.

Insure belts are properly tensioned after checking the torque values.



Ensure that when you re-torque the screws, you use a clockwise pattern and continue until the proper torque is achieved.

TORQUE VALUES		
Component	Inch/lbs	Foot/lbs
Engine Hub #38-052	180	15
Vacuum Pump Hub #38-056	180	15
Engine Hub #38-021	180	15

WASTE TANK STRAINER BASKET

The strainer basket located in the waste tank should be emptied and cleaned on a **daily** basis. Microban QGC cleaner is the recommended product for cleaning and sanitizing the waste tanks as well as other parts of the system.

CHECK VALVE STRAINER (OUTLET)

Unscrew the screen and inspect the strainer after the first **week** of operation. Remove any debris present. Inspect again after **2** and **4 weeks**. Thereafter, inspect the strainer and screen at least **monthly**. If a frequent build-up of debris is noticed, inspect and clean more frequently.

CHEMICAL PUMP

The chemical pump should be rebuilt every **500 hours**. This involves changing the diaphragm, check valves, and inspecting the disk.

CHEMICAL METERING SYSTEM

Check and inspect the packing nut on the chemical selector and metering valves every **200 hours**. Keeping the valve packings properly adjusted will prevent leaks and add to the overall life of the valves.

PRESSURE REGULATOR

Lubricate the o-rings in the pressure regulator every **100 hours**. Use only o-ring lubricant (Part #13-003).

VACUUM HOSES

To ensure maximum hose life, **SAPPHIRE SCIENTIFIC** recommends that you wash out the hoses with fresh water **daily**. Microban QGC cleaner as the best product for cleaning and sanitizing the wands and hoses as well as other parts of the system

BATTERY

WARNING!

Explosive gases, Dangerous acid!

Batteries contain sulfuric acid. To prevent acid burns, avoid contact with skin, eyes and clothing. Batteries also produce explosive hydrogen gases while charging. To prevent fire or explosion, charge batteries only in a well ventilated area. Keep sparks, open flames, as well as any other sources of ignition away from batteries at all times. Remove all jewelry prior to servicing batteries. Keep batteries out of the reach of children.

Before disconnecting the negative (-) ground cable, ensure that all switches are in the OFF position. If ON, a spark could occur at the ground connection terminal which could cause an explosion if hydrogen gas or gasoline vapors are present. **ALWAYS** disconnect the negative (-) terminal first.

1. If you do not have a maintenance free sealed battery, check the fluid level in the battery at least **once a week**. If low, fill to the recommended level **ONLY** with distilled water. **DO NOT** overfill the battery. Early failure or poor performance will result due to loss of electrolyte.
2. Keep cables, terminals and external surfaces of the battery clean and dry. A buildup of corrosive acid or grime on the external surfaces could cause the battery to self-discharge.
3. Battery terminals should be cleaned every **100 hours** to prevent corrosion buildup. Wash the cables, terminals and external surfaces with a mild baking soda and water solution. Rinse thoroughly with fresh water. **DO NOT** allow baking soda to enter the battery cells, as this will destroy the electrolyte, resulting in battery failure.

SECTION 4

HIGH PRESSURE SOLUTION HOSES

Inspect your high-pressure solution hoses for wear after the first **100 hours**. Thereafter, inspect every **25 hours**. If the hoses show any signs of damage or impending rupture, replace the hoses.

WARNING!

NEVER attempt to repair high-pressure solution hoses. Repairing high-pressure solution hoses may result in severe burns and serious injury.

All high-pressure solution hoses must be rated for 3000 PSI at 250 deg. F. Thermoplastic hoses do not meet this requirement and should not be used. Severe burns and injury may result if the hoses do not meet these requirements.

8. GENERAL SERVICE ADJUSTMENTS

⚠ WARNING!

DO NOT attempt to service this unit while it is running. High speed parts as well as high temperature components may result in severe injury, severed limbs, or fatality.

ENGINE SPEED

1. To adjust the engine RPM, refer to the Kohler Engine Operation and Service Manual for specific instructions.

⚠ WARNING!

DO NOT attempt to adjust without a tachometer and NEVER adjust the engine above 3000 RPM.

VACUUM RELIEF VALVE

With the unit running at full RPM, block off the airflow at the vacuum inlet port and read the vacuum gauge. If adjustment is required, shut the unit down and adjust the locking nut tension on the vacuum relief valve. Re-start the unit and read the vacuum gauge. Repeat this process until the vacuum relief valve opens at 14" Hg. Always ensure the lock nut is retightened.

WATER PUMP DRIVE BELT

To tighten the water pump belt:

1. Loosen the four nuts, which hold the water pump base to the frame.
2. Adjust the position of the belt tensioning adjusting bolt until the proper belt tension is achieved. (3/4" deflection in the center of the belts, half way between the pulleys).

Do not over tighten damage to pump may occur.

3. While checking the alignment, tighten the nuts that hold the water pump to the base.

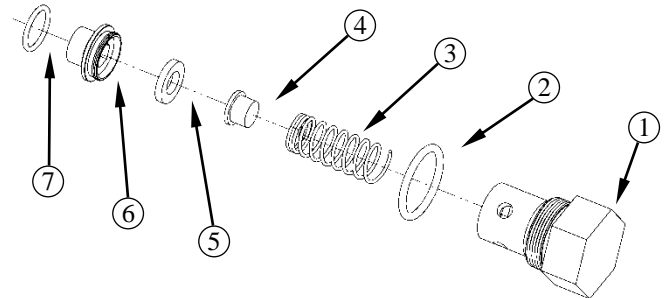
⚠ CAUTION

Over tightening of belts may cause damage to pump casing, causing it to fail.

SOLUTION OUTLET CHECK VALVE

Inspect the check valve whenever performing service on the chemical pump or if flow problems are occurring in the chemical system.

1. Remove the check valve, ensuring that the small o-ring on the seat comes out with it
2. Next, remove the seat using a 5/16 in. Allen wrench
3. Check the Teflon seat for wear or debris. Clean and replace the seat if necessary.
4. Inspect the poppet and the spring for wear or damage. Clean and replace as necessary.
5. Re-assemble the check valve. Thread the seat by hand until snug. Then tighten with a 5/16 in Allen wrench. **DO NOT** over-tighten.



23-063 VLV, CHECK, CHECK VLV MANIFOLD

Item #	Part Number	Qty.	Description
1	66-282	1	CAP, CHECK VALVE ASSY. SS
2	41-007	1	ORING, 7/8 ID X 1-1/16 OD
3	15-007	1	SPRING, CHECK VALVE ASSY.
4	27-010	1	POPPET, CHECK VALVE ASSY
5	27-004	1	INSERT, SEAT-CHK VLV ASSY TM
6	27-011	1	SEAT, CHECK VALVE ASSY.
7	41-008	1	ORING, 1/2 ID 5/8 OD

SECTION 4

Note: Improper seating of the check valve seat, poppet, damaged spring or o-rings will result in poor performance of the chemical system.

- Lubricate the o-rings with o-ring lubricant. (Part # 13-003) and re-install.

CHEMICAL PUMP

The **MODEL 370 SS[®]** unit features a stainless steel chemical pump and metering system. The chemical pump requires only the replacement of the diaphragm and check valves. To replace the diaphragm, unscrew the cover from the body. When replacing the diaphragm, lube the outer edges of the diaphragm with o-ring lubricant (Part #13-003) and reassemble.

To replace the check valves, remove the check valve caps, replace the check valves and reassemble using new o-rings. **DO NOT** attempt to reuse o-rings after the check valves have been removed.

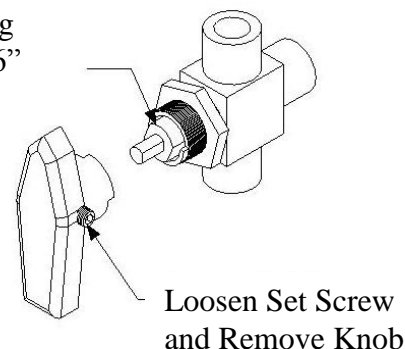
PACKING NUT ADJUSTMENT CHEMICAL METERING/SELECTOR VALVES

Inspect the packing nut for proper tension on the chemical metering and chemical selector valves every **200 hours**. When turning the knob, there should be some resistance. If not, slightly

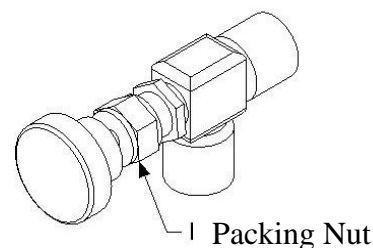
tighten the packing nut. **DO NOT** over-tighten. Keeping the packing properly adjusted will eliminate possible leaks and will add to the overall life of the valves.

Chemical Prime Valve

Adjust the packing nut by turning the packing bolt clockwise at 1/16" increments.



Chemical Metering Valve



PRESSURE REGULATOR

The pressure regulator holds water pressure at a preset point and bypasses the excess water back to the water box.

To adjust:

1. With the unit running, close the cleaning tool valve. Check the pressure gauge. Open the tool valve. Set the pressure regulator so that the pressure gauge reads 350 PSI with the tool valve closed. With the tool valve open, there should be a normal drop in pressure. **If the drop is greater than 100 PSI, it may be necessary to lubricate the pressure regulator o-rings.**

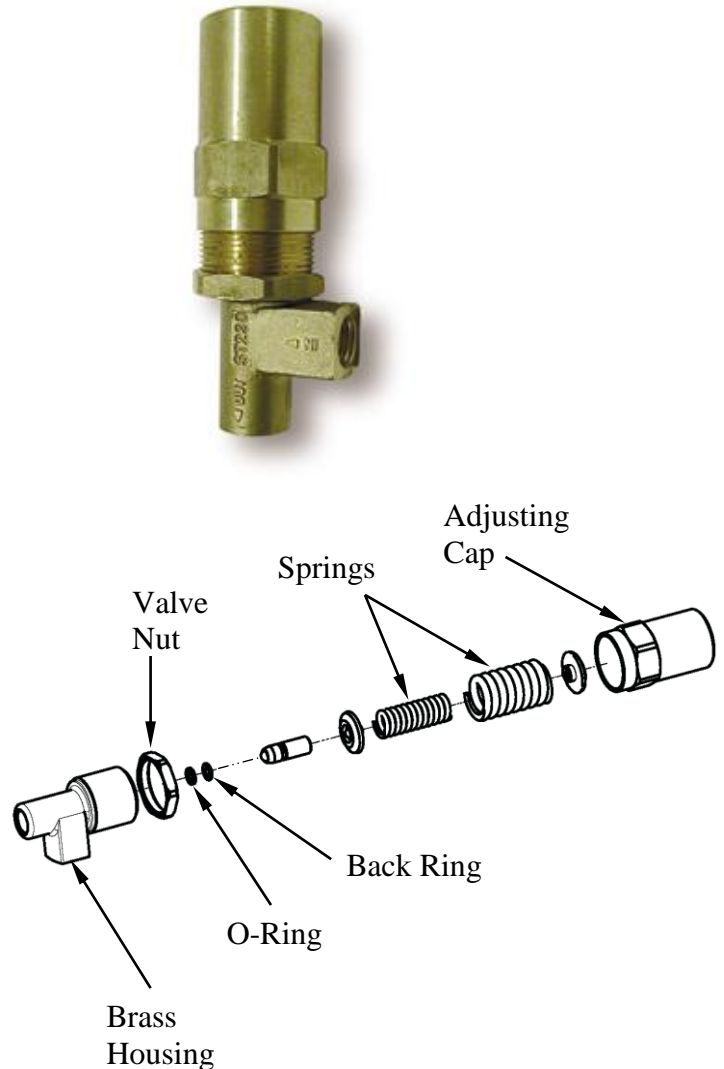
2. To adjust the pressure regulator, turn the adjusting knob (while observing the pressure gauge on the control panel) until you reach the desired pressure.

WARNING!

DO NOT loosen the adjusting body (cap) all the way (counterclockwise) or remove it while the unit is running.

We recommend that you lubricate the pressure regulator o-ring every **50 hours**, or whenever required. If you do not, the stem may become seized due to inadequate lubrication. If this occurs:

- a) Shutdown the unit.
- b) Disconnect the water supply
- c) Relieve all pressure from the water system.
- d) Remove the cap from the pressure regulator and remove the stem with long nose pliers.
- e) Clean and lubricate stem.
- f) Reassemble pressure regulator



SECTION 4

9. TROUBLESHOOTING

WARNING!

DO NOT attempt to service this unit while it is running. High-speed parts as well as high temperature components may result in severe injury, severed limbs or fatality.

This section of the operator's manual describes how to look for and repair malfunctions, which may occur.

Accurate troubleshooting is based on a thorough and complete understanding of the **WATER, CHEMICAL, VACUUM, HEAT TRANSFER, SAFETY** and **WIRING** systems featured in this unit.

If there are malfunctions occurring on this unit which you do not understand, refer back to the **OPERATION** section of this manual and review **SYSTEM**

TROUBLESHOOTING: ENGINE

PROBLEM	CAUSE	SOLUTION
Engine will not start: The engine does not turn over	Main circuit breaker on the control panel has been tripped.	After inspecting the unit to determine the cause of the tripped circuit breaker, press the reset button.
	Loose or corroded battery connections.	Clean, tighten, or replace the battery terminals.
	Dead battery.	Recharge or replace battery.
	Defective ignition switch.	Test ignition switch for power going into the switch. If there is power going in but NO power going out, replace the switch.
	Defective starter motor.	Test the starter motor. If necessary replace.
	Vacuum pump seized.	Refer to Gardner Denver Service and Repair Manual.
Starter turns over engine, but will not start	Waste tank is full.	Empty the waste tank.
	Defective fuel pump.	Replace the fuel pump.
	Loose or broken wires leading to waste tank float switch.	Repair or replace any broken electrical connections.
	Defective float switch in the waste tank.	Check switch for proper operation, replace as necessary.
	Oil pressure switch (located on engine), fuel shut-off solenoid (located on engine).	Test these components. If any are defective, replace. Consult the Kohler Engine Operation and Maintenance Manual.
	Engine is malfunctioning	Refer to Kohler Engine Operation and Maintenance Manual.
Excessive heating	Flow restriction caused by hard water scaling.	Descale unit, repair or replace damaged plumbing components as necessary. Install water softener.
	Not enough water flow.	Check jet size of tool and or check the float valve.

SECTION 4

TROUBLESHOOTING: ENGINE

PROBLEM	CAUSE	SOLUTION
Engine stops running: While doing normal cleaning, the engine stops running	Engine is out of gasoline	Add gasoline to the fuel tank.
	Waste tank is full	Empty waste tank.
	Main circuit breaker on the control panel has been tripped.	After inspecting the unit to determine the cause of the tripped circuit breaker, press the reset button.
	Defective fuel pump.	Replace fuel pump.
	Defective float switch inside the waste tank.	Check switch for proper operation. Replace as necessary.
	Oil pressure switch on engine has shut down, due to insufficient oil pressure.	Refer to the Kohler Engine Operation and Maintenance Manual. DO NOT restart the engine until the cause is determined and corrected.
	No ignition in the engine or engine is malfunctioning.	Refer to the Kohler Engine Operation and Maintenance Manual.
Heat exchanger leaks NOTE: The heat exchanger will produce water condensation discharge at times during normal operation. DO NOT confuse this with a leak.	Engine/vacuum exhaust heat exchanger is damaged from frozen water.	Inspect heat exchanger for leaks. Visually inspect for damage. Pressure check after removing from the unit. (Maximum test pressure 1200 PSI).
Loss of temperature: The heat output of the unit is LESS than normal.	Temperature relief valve on water box is stuck open.	Clean temperature relief valve and test. Replace, if necessary.
	Engine RPM is low.	Reset engine RPM.
	Defective temperature gauge.	Test gauge and sensor. Replace failed component.
	Leaky pop-off valve on water box	
	Temperature balance orifice missing	Replace orifice
Automatic waste pump is malfunctioning or not operating normally.	Defective waste pump float switch.	Replace float switch.
	Broken diaphragm(s).	Replace diaphragm(s).
	Weak battery.	Charge or replace battery if needed. Check charging station.
	Pump-out circuit breaker on control panel has been tripped.	After inspecting waste pump to determine the cause of the tripped circuit breaker, press the reset button.
	Inspect check valve for debris or damage.	Clean or replace if necessary.

TROUBLESHOOTING: BLOWER / VACUUM PUMP

PROBLEM	CAUSE	SOLUTION
Excessive Vacuum	Improper throttle adjustment.	Adjust throttle to set desired vacuum pressure.
	Vacuum relief valve requires adjustment.	Readjust the vacuum relief valve.

SECTION 4

TROUBLESHOOTING: BLOWER / VACUUM PUMP

PROBLEM	CAUSE	SOLUTION
Loss of vacuum: While cleaning, the vacuum is not up to specification. Engine RPM is normal.	Vacuum gauge is giving an improper reading.	Examine the tubing between the vacuum relief valve and the vacuum gauge and remove any blockage.
	Vacuum hose(s) is damaged, causing a suction leak.	Inspect hose(s), repair or replace.
	Waste tank gaskets not sealing properly, not positioned properly	Inspect the gasket. Repair seal or replace Re-position lid(s).
	Plugged vacuum hose or vacuum plumbing between vacuum inlet and strainer basket.	Unplug vacuum hose or inlet plumbing.
	Waste tank filter or strainer basket is plugged.	Clean or replace filter. Clean strainer basket.
	Loose vacuum pump drive belts.	Tighten the drive belts
	Waste tank drain valve is damaged or left open, causing a vacuum leak.	Drain the waste tank. Close drain valve, if open. Remove the dump valve and, after inspecting, replace the defective components.
	Vacuum relief valve requires adjustment or has a vacuum leak due to damaged diaphragm.	Re-adjust the vacuum relief valve. If the vacuum does not increase, remove and inspect the relief valve diaphragm. If damaged, replace
Vacuum pump is worn out.	Replace the vacuum pump.	

TROUBLESHOOTING: WATER PUMP

PROBLEM	CAUSE	SOLUTION
Loss of solution volume at cleaning tool orifice: Solution pressure gauge reads normal.	Plugged orifice and/or screen in the cleaning tool.	Unplug or replace orifice and/or screen
	Internal block between the pressure regulator manifold and the outlet manifold, or the solution screen is clogged	Inspect all lines, remove accumulated debris which is blocking proper flow. Replace any defective hoses. Remove, inspect, and clean the solution screen. De-scale unit and install a water softener, if necessary.
	Outlet check valve is plugged	Examine the check valve, remove any debris
	Cleaning tool valve is malfunctioning.	Repair or replace valve.

SECTION 4

TROUBLESHOOTING: WATER PUMP

PROBLEM	CAUSE	SOLUTION
Loss of solution volume at cleaning tool orifice: Solution pressure gauge reads normal.	Hose inner lining is constricted.	Remove restriction or replace hose.
	Air leak in chemical supply line, priming valve or metering valve.	Check for air leaks. Replace faulty parts.
	Defective quick-connect on one or more of the high pressure hoses.	Replace defective quick-connects(s) on high pressure hoses(s).
Loss of solution pump pressure: With the cleaning tool open, the solution pressure gauge reads below the normal operating pressure.	Water supply is turned off or the float valve is stuck.	Turn the water supply on or up. Check for kinks in the water supply hose. Examine the float or replace.
	Solution pump inlet supply line is plugged or drawing air.	Examine the water inlet filter inside the water box. Remove accumulated debris and replace if required. Check for suction leaks and loose clamps or fittings. Tighten any loose fittings or clamps. Replace any ruptured hose(s).
	Improper engine speed	Using a tachometer, check the engine speed. Full throttle engine speed is 2800 RPM. Idle engine speed is 1400 RPM. Refer to the "engine speed" section for instructions on how to re-adjust.
	Pressure regulator o-rings are dry.	Lubricate o-rings, using o-ring lubricant
	Pressure regulator has worn o-rings	Check o-rings. If necessary, replace.
	Pressure regulator is dirty, stuck open, or improperly adjusted.	Clean or repair regulator. Adjust to working pressure. Lubricate o-rings, using o-ring lubricant Part
	Low pump volume. (Measure the amount of water being returned to the water box from the pressure regulator. It should fill a gallon container about every 17.6 seconds).	Examine the check valves, plunger cups, and cylinder head on the water pump. Repair, whenever required (refer to the water pump service manual).
	Defective water pressure gauge.	Replace gauge
	Orifice (spray nozzle) in the cleaning tool is worn, defective, or wrong size.	Replace Nozzle or change nozzle size.
	Debris clogging water lines or water inlet disconnect.	Clean or replace as needed.
	Belts loose or broken	Re-tension or replace as needed.
	Loss of pump prime	Manually prime water pump.
	Temperature Balance Orifice missing	Replace Orifice

SECTION 4

TROUBLESHOOTING: CHEMICAL SYSTEM

PROBLEM	CAUSE	SOLUTION
Chemical flow meter indicates flow with the tool valve closed	External leak in chemical piping	Tighten fittings. Re-apply thread sealant where required. If any fittings are damaged, replace.
	Outlet check valve is full of debris or damaged, not allowing it to close properly	Close the chemical valve on the instrument panel. If the flow meter does not indicate flow, remove debris or replace check valve, if necessary.
	Chemical pump diaphragm is ruptured	Close the chemical valve on the instrument panel. If the flow meter still indicates flow, replace the chemical pump diaphragm.
	Internal leak in chemical valve causing continual flow through prime tube returning to container.	Tighten valve packing nut (see “General Service Adjustments” section in this manual). Replace valve, if necessary.
Solution pump does not engage	Solution pump circuit breaker has been tripped	Check the solution pump circuit breaker on the control panel. Press the circuit breaker reset button.
	Defective electrical connection in the console wiring or defective switch.	Examine switch, electrical connections, and wiring. Repair any defective connections. If there is power going to the switch but not going out, replace the defective switch.
	Solution pump has not been activated	Turn solution pump switch to on.
	Defective solution pump clutch. NOTE: The clutch may be manually engaged by inserting two ¼-20 x ½ bolts. Line up the holes on the clutch and insert the bolts. To disengage the pump, remove the bolts.	If there is power in the switch, but not power at the clutch, replace the defective wire. If there is power at the clutch, replace the defective switch.
	Loose or broken solution pump belts.	Tighten or replace belts.
Loss of chemical: With the cleaning tool valve open, no chemical	Chemical pump is improperly primed.	Refer to chemical pump priming instructions.
	The strainer at the inlet end of the chemical inlet line is clogged	Unclog the strainer. If damaged, replace.
	Suction leak in the inlet line leading into the chemical pump.	Inspect inlet lines and flow meter for air leaks or damage and replace, if required.

SECTION 4

TROUBLESHOOTING: CHEMICAL SYSTEM

PROBLEM	CAUSE	SOLUTION
Loss of chemical: With the cleaning tool valve open, no chemical	Chemical pump check valve(s) is clogged	Remove any debris from the chemical check valve(s). Replace chemical check valve(s) or seals, if necessary.
	Chemical prime/on-off valve or chemical metering valve is defective.	Replace valve(s).
	Chemical pump diaphragm is ruptured.	Disassemble the chemical pump and replace the damaged diaphragm.
	Defective cylinder in the water pump.	Measure the pump volume. If the pump volume is less than normal, refer to “Loss of Pump Volume” in the Troubleshooting section in this manual.

SECTION 5: **PARTS and ACCESSORIES**

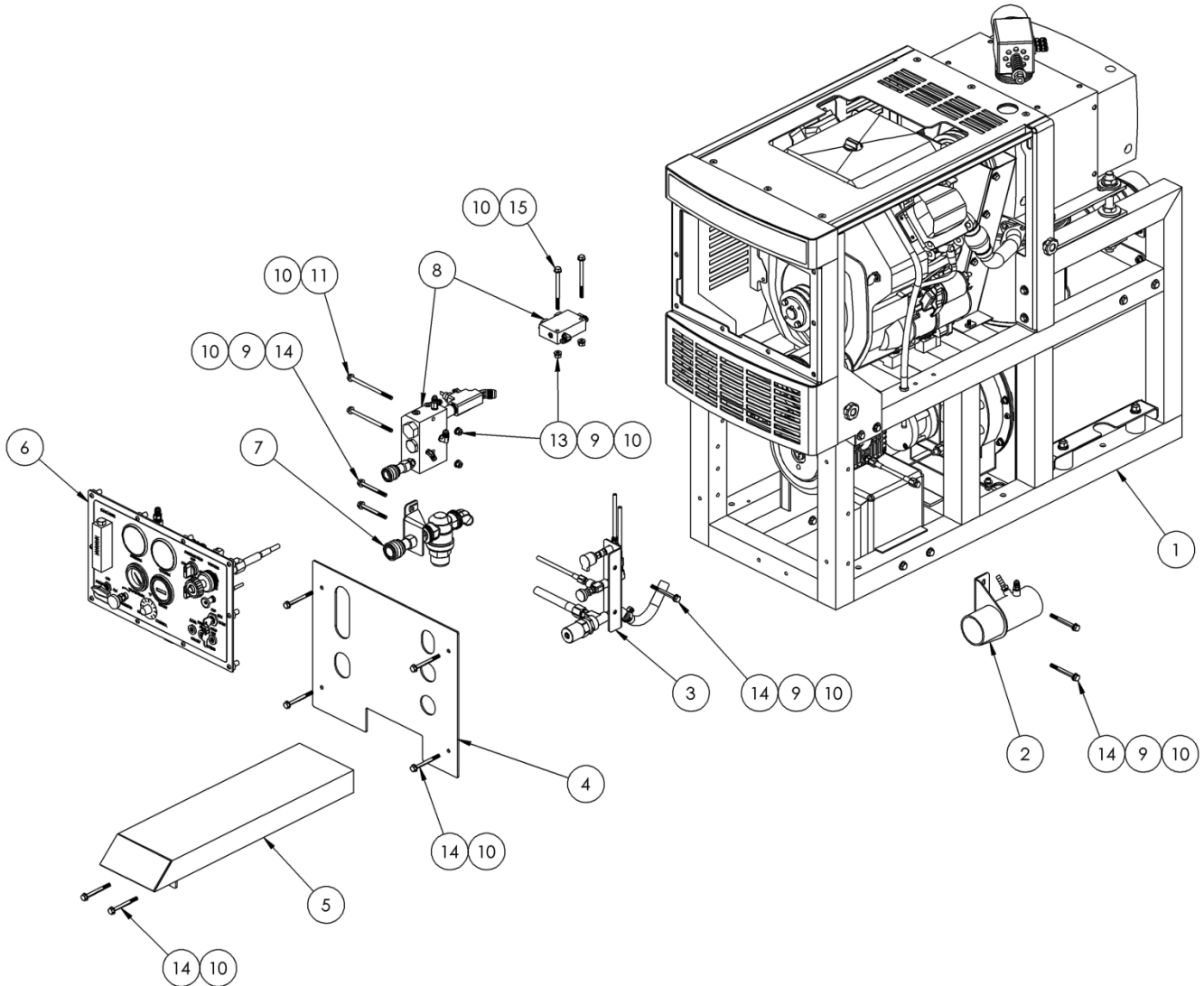
10. ILLUSTRATED PARTS LISTINGS

Front End Components	42
Internal Components.....	43
Frame and Enclosures.....	45
Instrument Panel	46
Diverter Lockout.....	48
Engine	49
Vacuum Blower	50
Water Pump (General Pump).....	52
Wye Strainer	54
Water Pump (CAT Pump)	55
Chemical Pump.....	56
Thermal Well.....	57
Solution Manifold and Bypass.....	59
Vacuum Bracket	60
Oil Cup and Bypass Valve.....	61
Belt Guard Blower.....	62
Quick Disconnect Fittings and Bracket	63
Waste Tank	64
Electrical Diagram	65
Hose Routings.....	66
Decals	67

11. ACCESSORIES

Stryker Wand.....	68
Waste Pump Out Assembly	69
1992 to 2002 Ford Fuel Line Install	70
Chevy and GMC Full Size Van Fuel Line Install.....	71
2003 Chevy and GMC Full Size Van Fuel Line Install	72
1997-2002 Dodge Full Size Van Fuel Line Install	73
Fuel Line Bulkhead Installation.....	74
Fuel Pump Assembly Installation.....	75
Fuel Supply & Return Line Installation.....	76

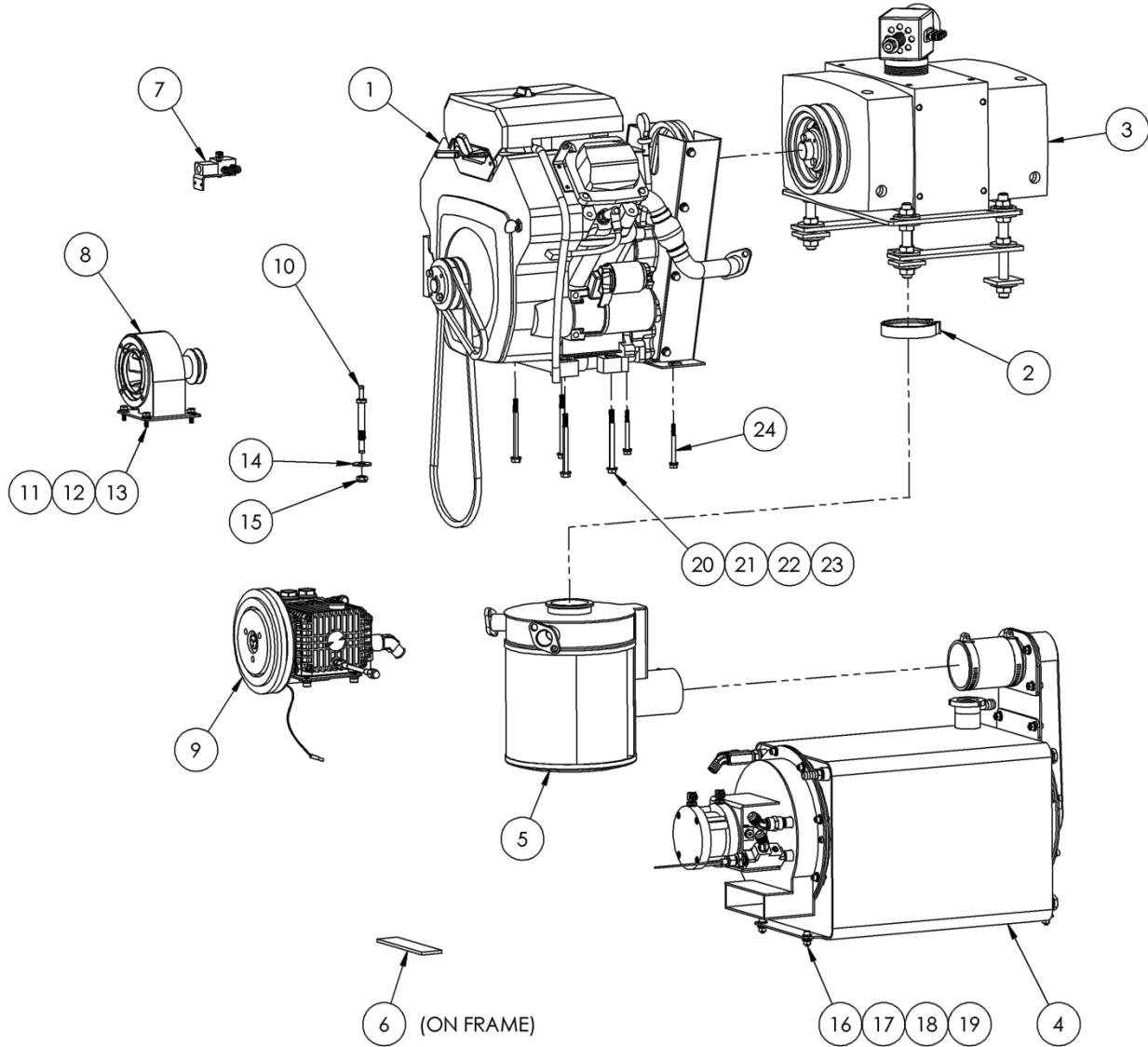
SECTION 5



70-370, ASSEMBLY, FRONT END COMPONENTS

Item No.	Part Number	Qty	Description
1	69-186	1	ASSY, FRAME CONTROL PANEL & HOODS
2	69-295	1	ASSY, VACUUM BRACKET
3	69-187	1	ASSY, BRACKET MOUNTING LOWER RIGHT
4	66-226	1	PANEL, LOWER FRONT
5	61-453	1	WELDMENT, EXHAUST EXTENSION
6	69-181	1	ASSY. CONTROL PANEL
7	69-434	1	ASSY, QD BRACKET
8	69-192	1	ASSY, MANIFOLD BLOCK
9	12-015	11	LKWSR, 1/4 ZINC
10	12-011	19	WASHER, FLAT #12 SAE
11	10-160	2	BOLT, 1/4-20 X 4-1/2 HH ZP
12	10-032	2	SCREW, MACH 1/4-20 X 3/4 HXHD
13	11-004	4	NUT, 1/4-20 ZINC
14	10-028	9	SCREW, MACH 1/4-20 X 2-3/4 HXHD
15	10-003	2	BOLT, 1/4-20 X 3-1/2 HH ZP

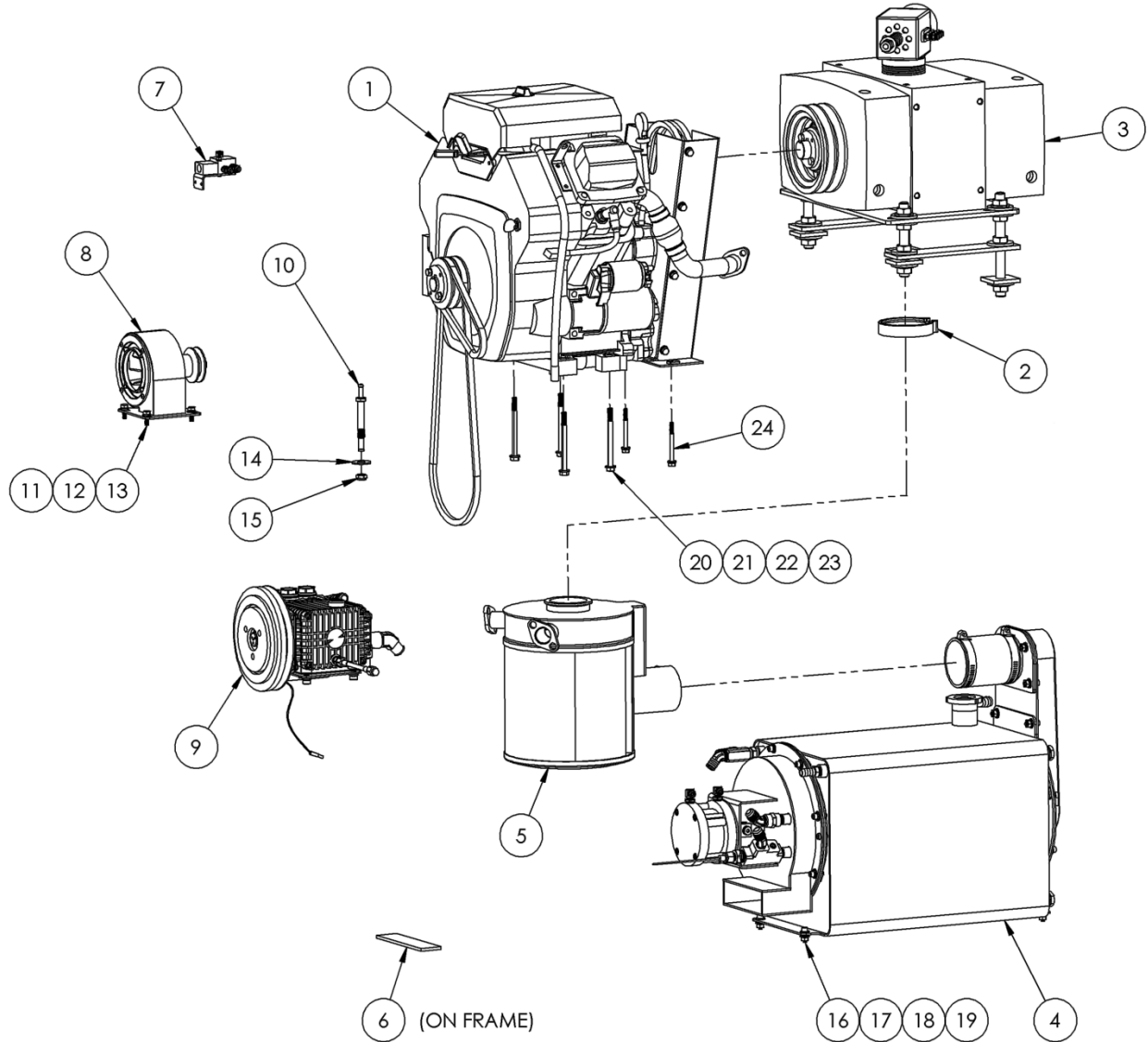
SECTION 5



70-370, ASSEMBLY, INTERNAL COMPONENTS, 1 - 13

Item No.	Part Number	Qty	Description
1	69-190	1	ASSY, ENGINE 370SS
2	14-046	1	CLAMP, 2-1/2 V-BAND
3	69-183	1	ASSY, VACUUM PUMP
4	69-429	1	ASSY, THERMAL WELL
5	63-107	1	ASSY, SILENCER
6	41-091	6.5"	PAD, 1/4 SILICONE SPONGE
7	69-399	1	ASSY, DIVERTER LOCKOUT
8	69-184	1	ASSY, BELT GUARD BLOWER
9	69-455	1	ASSY, GEN HTX1813S WATER PUMP
10	66-359	1	FITTING, 1/4 X 5/16 FUEL LINE MANIFOLD
11	12-015	4	LKWSR, 1/4 ZINC
12	12-011	6	WASHER FLAT #12
13	10-032	4	SCREW, MACH 1/4-20 X 3/4 HXHD

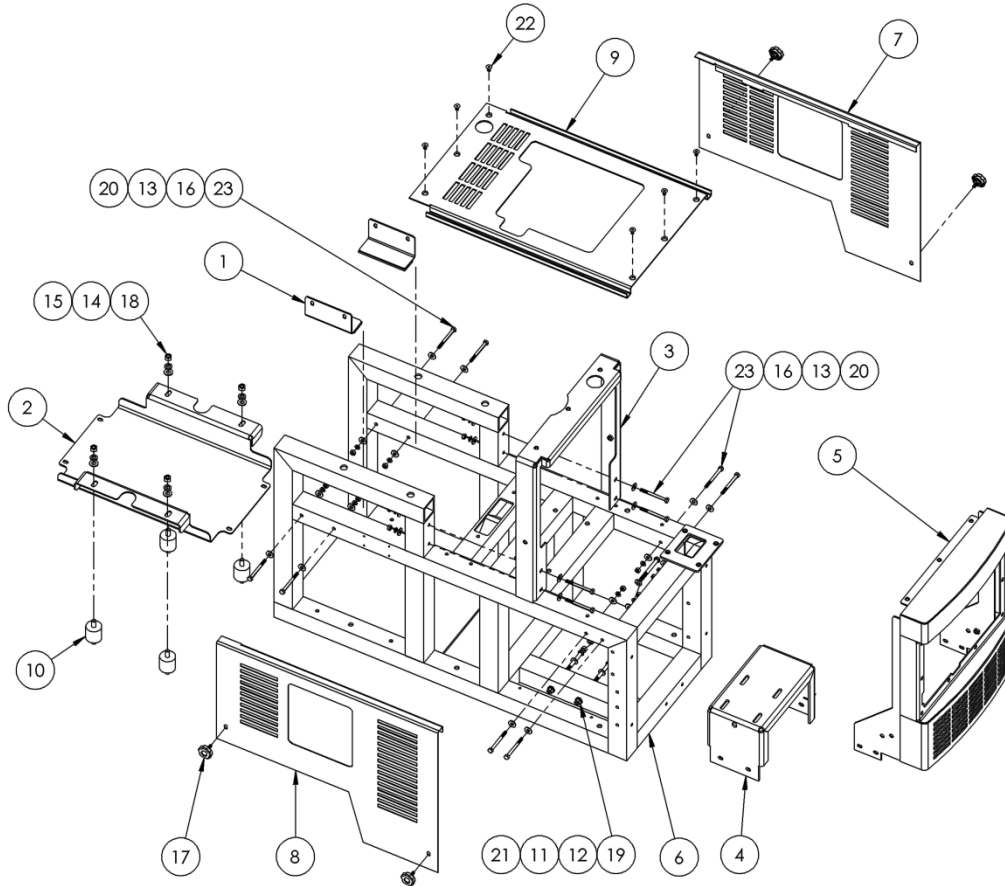
SECTION 5



70-370, ASSEMBLY, INTERNAL COMPONENTS, 14 - 24

14	12-021	1	WASHER, FLAT 3/8 ZINC
15	11-088	1	NUT, 7/16-20 THIN NYLOK ZPS
16	10-021	4	SCREW, MACH 1/4-20 X 3/4 SOCHD SS
17	12-003	4	LKWSR, 1/4 SS
18	12-002	4	WASHER, FLAT 1/4 SS
19	11-004	4	NUT, 1/4-20 ZINC
20	10-145	4	SCREW, MACH 5/16-18 X 4 HXHD
21	12-017	4	WASHER, FLAT 5/16 ZINC
22	12-016	4	LKWSR, 5/16 ZINC
23	11-005	4	NUT, 5/16-18 ZINC
24	10-028	2	SCREW, MACH 1/4-20 X 2-3/4 HXHD

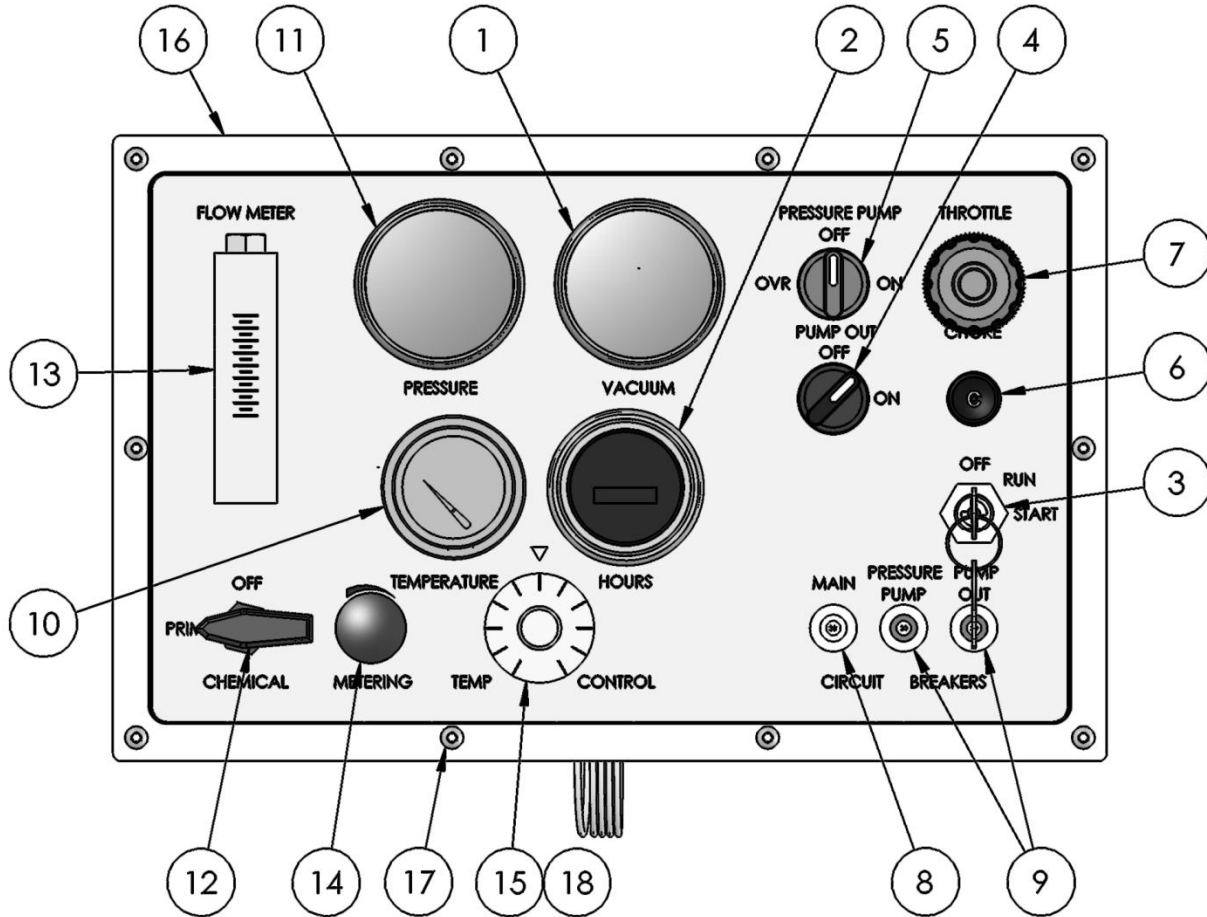
SECTION 5



ASSY, FRAME & ENCLOSURES

Item No.	Part Number	Qty	Description
1	69-437	2	ASSY, WATER BOX BRACKET
2	61-874	1	WELDMENT, THERMAL WELL CRADLE
3	61-867	1	WELDMENT, REAR TOP BRACE
4	61-908	1	WELDMENT, PUMP BRACKET GEN HTX1813S
5	61-447	1	WELDMENT, CONTROL PANEL
6	61-440	1	ASSEMBLY, FRAME
7	60-338	1	PANEL, RIGHT SIDE
8	60-336	1	PANEL, LEFT SIDE
9	58-359	1	PANEL, TOP 370SS
10	41-095	4	ISOLATOR, 1.5 OD X 1.5 TALL 50 DURO
11	12-017	8	WASHER, FLAT 5/16 SAE ZINC
12	12-016	4	LKWSR, 5/16 ZINC
13	12-015	12	LKWSR, 1/4 ZINC
14	12-014	4	LKWSR, 3/8 ZINC
15	12-013	4	WASHER, FLAT 3/8 SAE
16	12-012	24	WASHER, FLAT 1/4 USS
17	11-007	4	NUT, THUMB 1/4-20 FLWR HEAD KNOB
18	11-006	4	NUT, 3/8-16 ZINC
19	11-005	4	NUT, 5/16-18 ZINC
20	11-004	12	NUT, 1/4-20 ZINC
21	10-174	4	SCREW, MACH 5/16-18 X 3 HXHD
22	10-165	6	SCREW, MACH 1/4-20 X 1/2 FHSCS SS
23	10-028	12	SCREW, MACH 1/4-20 X 2-3/4 HXHD

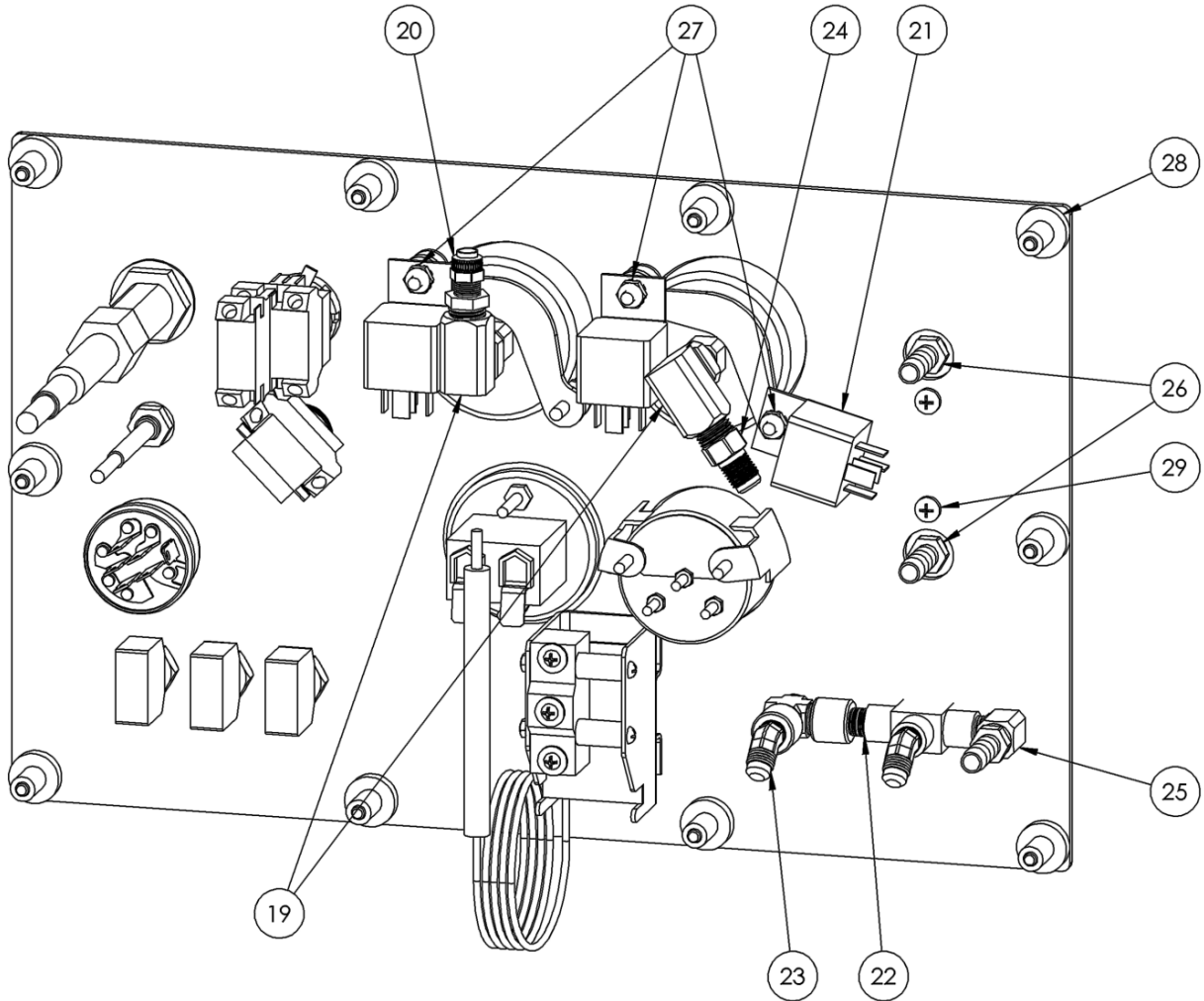
SECTION 5



69-181, ASSEMBLY, CONTROL PANEL, 1 - 18

Item No.	Part Number	Qty	Description
1	26-040	1	GAUGE, VACUUM 2.5 IN 0-30 IN/HG
2	26-033	1	HOURMETER, HOBBS CHROME BEZEL
3	29-047	1	SWITCH KIT
4	29-016	1	SWITCH, ROTARY NON-ILLUMINATED
5	29-049	1	SWITCH, ROTARY, 3 POS, SR FROM LEFT, 1 NO, 2 NC
6	40-032	1	CABLE, CHOKE
7	40-031	1	CABLE, THROTTLE
8	30-007	1	BREAKER, 30 AMP
9	30-008	2	BREAKER, 20 AMP
10	26-034	1	GAUGE, WTR TEMP CHROME 320 DEG.
11	26-041	1	GAUGE, PRESSURE 2.5 IN 0-1500 PSI
12	23-027	1	VALVE, 3-WAY BALL 1/8 FP SS
13	26-003	1	FLOWMETER, 1/8 FP
14	23-028	1	VLV-MET1/8(CHEM)RT ANG SS
15	34-007	1	CONTROL, TEMPERATURE 275 DEGREE
16	66-225	1	INSTRUMENT PANEL
17	10-016	10	SCREW, MACH 10-32 X 1 SOCHD SS
18	10-151	2	SCREW, #6 AB X 1/2 PHP SS (BEHIND KNOB)

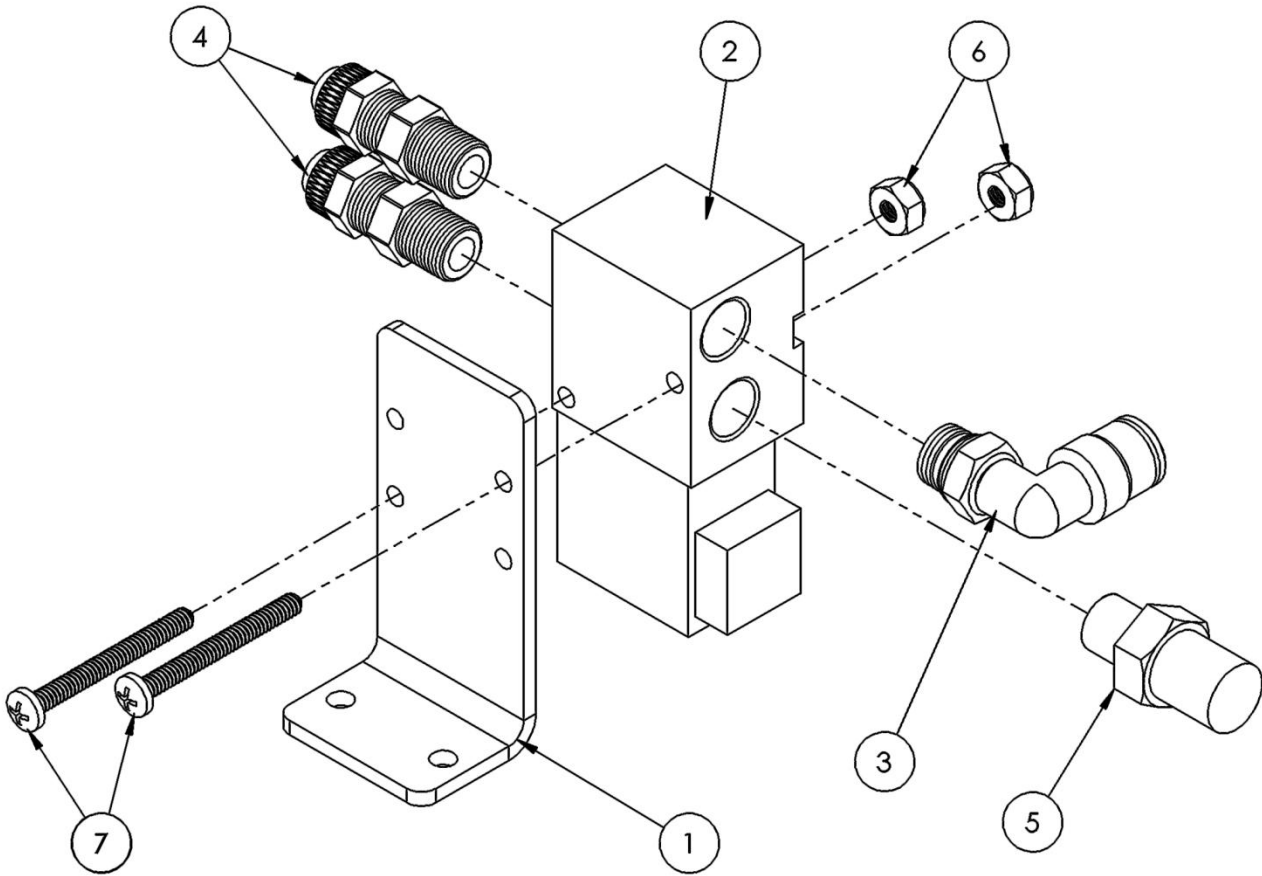
SECTION 5



69-181, ASSEMBLY, CONTROL PANEL, 19 - 30

Item No.	Part Number	Qty	Description
19	21-037	2	FITTING, ELBOW, .25 IN NPT, BRASS
20	21-433	1	CONN, 1/4 P X 1/4 POLY
21	34-010	3	RELAY, ENG SHTDWN 12V20/30 AMP
22	21-332	1	NIPPLE, 1/8" CLOSE 304 SS
23	21-055	2	ELL, 1-8 P X 1/4 T 45 DEG BRASS
24	21-050	1	CONN, 1/4 NTP X -04 JIC BRASS
25	21-038	1	ELL, STREET 1/8 IN BRASS
26	21-007	3	FTTG, BRB 1/8 P X 5/16 H BR
27	11-096	3	NUT, 10-32 X .500 PHP ZP
28	11-002	10	NUT, WELL G 10-32
29	10-150	2	SCRWE, 10-32 X 1/2 PHP ZP
30	16-026	1	HOSE, WINDSHIELD WIPER (NOT SHOWN)

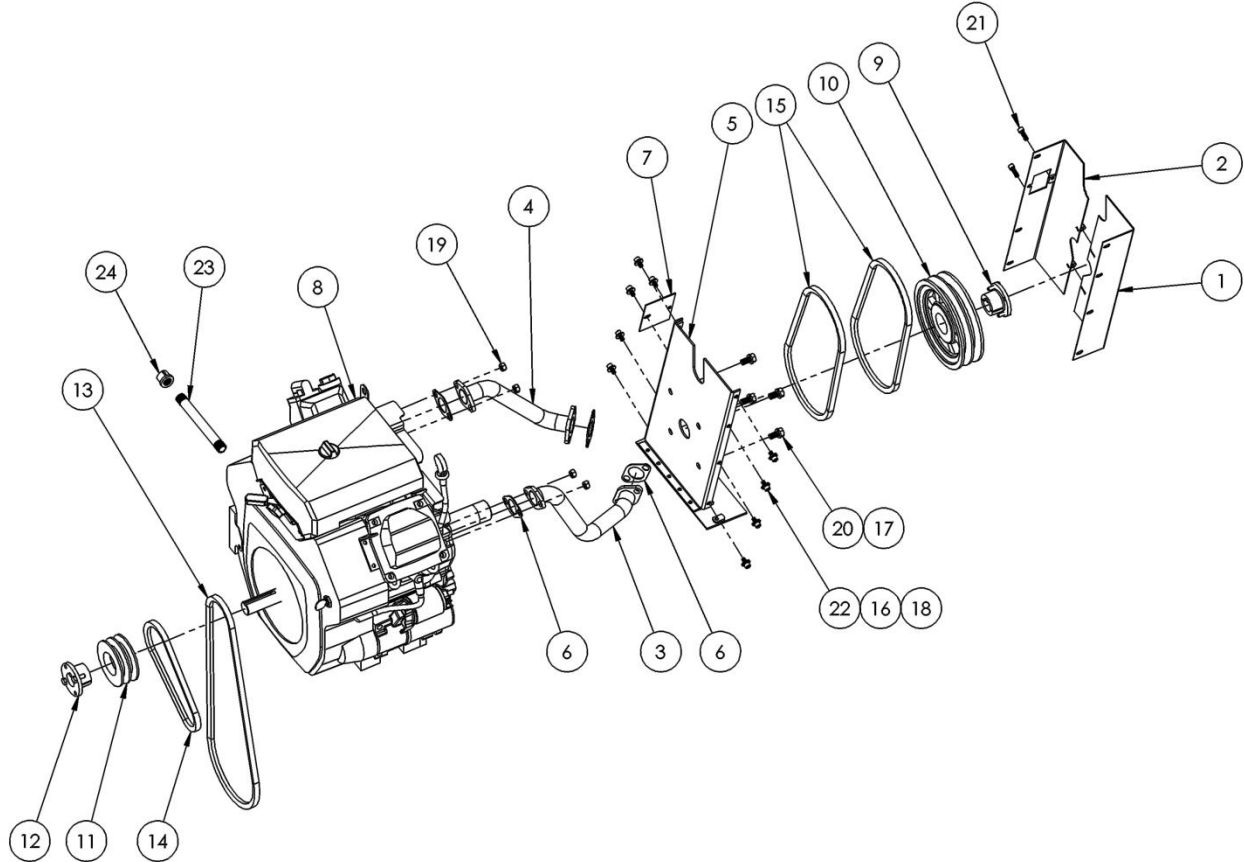
SECTION 5



69-399, ASSY, DIVERTER LOCKOUT

Item No.	Part Number	Qty	Description
1	58-364	1	BRACKET, DIVERTER LOCKOUT VALVE
2	23-084	1	VALVE, MACVALVE 45A-AA1-DDBA-1BA=CLSF
3	21-331	1	CONNECTOR, 1/8 MNPT X 1/4 HOSE 90 DEG SWIVEL
4	21-028	2	CONN, 1/8P X 1/4 POLY
5	20-030	1	1/8 IN AIR MUFFLER
6	11-021	2	NUT, 6-32 NYLOK
7	10-238	2	SCREW, MACH 6-32 X 1-3/8 PHP ZP

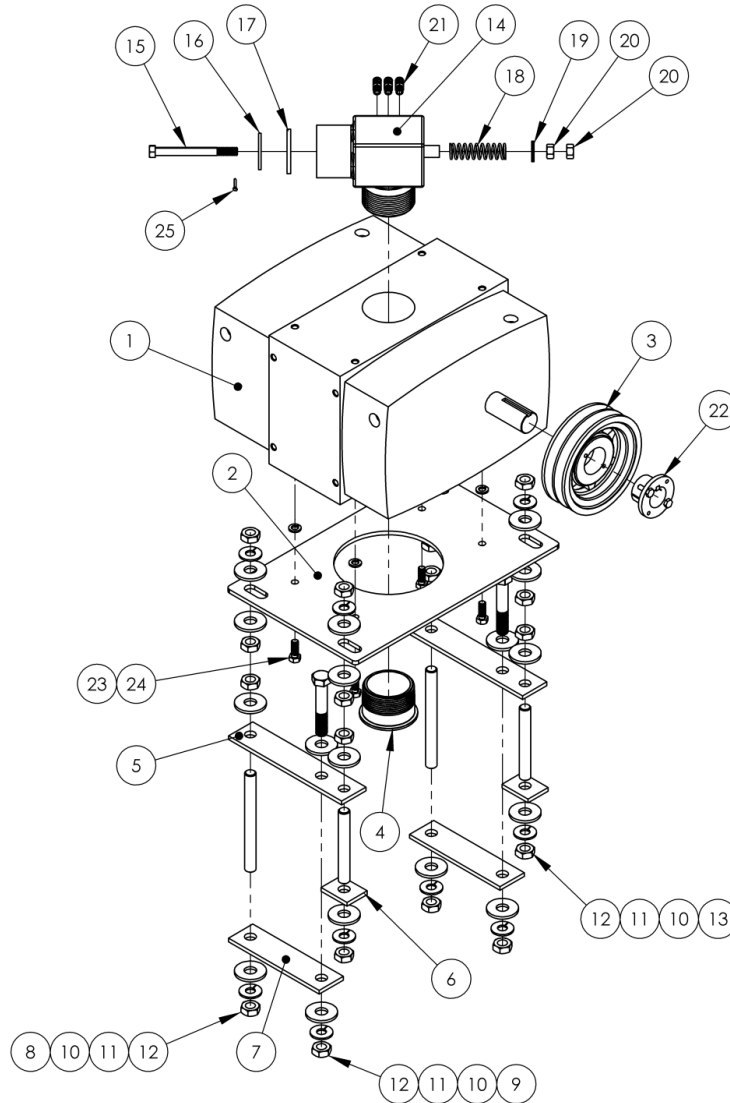
SECTION 5



69-190, ASSEMBLY, ENGINE

Item No.	Part Number	Qty	Description
1	61-835	1	WELDMENT, BELT GUARD RS
2	61-834	1	WELDMENT, BELT GUARD LS
3	61-469	1	ASSY, EXHAUST TUBE RS, 370 SS
4	61-468	1	ASSY, EXHAUST TUBE LS, 370 SS
5	61-452	1	WELDMENT, BELT GUARD
6	60-385	4	FLANGE, KOHLER EXHAUST (1.140)
7	58-397	1	PLATE, BELT INSPECTION
8	45-009	1	ENGINE, KOHLER 20 HP
9	38-052	1	BUSHING, BROWNING H X 1.125
10	38-050	1	SHEAVE, BROWNING 2BK70H
11	38-048	1	PULLY, BROWNING 2AK34H
12	38-021	1	BUSHING, BROWNING H X 1.00
13	37-063	1	BELT, GATES AX40 MATCH
14	37-062	1	BELT, 3L190
15	37-060	2	BELT, BP32 PREDATOR
16	12-015	9	LKWSR, 1/4 ZINC
17	12-014	4	LKWSR, 3/8 ZINC
18	12-011	9	WASHER, FLAT #12
19	11-005	4	NUT, 5/16-18 ZINC
20	10-070	4	BOLT, 3/8-16 X 3/4 HH ZP
21	10-021	2	SCREW, MACH 1/4-20 X 3/4 SOCHD SS
22	10-007	9	SCREW, MACH 1/4-20 X 1/2 SOCHD SS
23	21-329	1	NIPPLE, 3-8 NPT X 6 SS
24	21-326	1	CAP, PIPE, 3/8 NPT

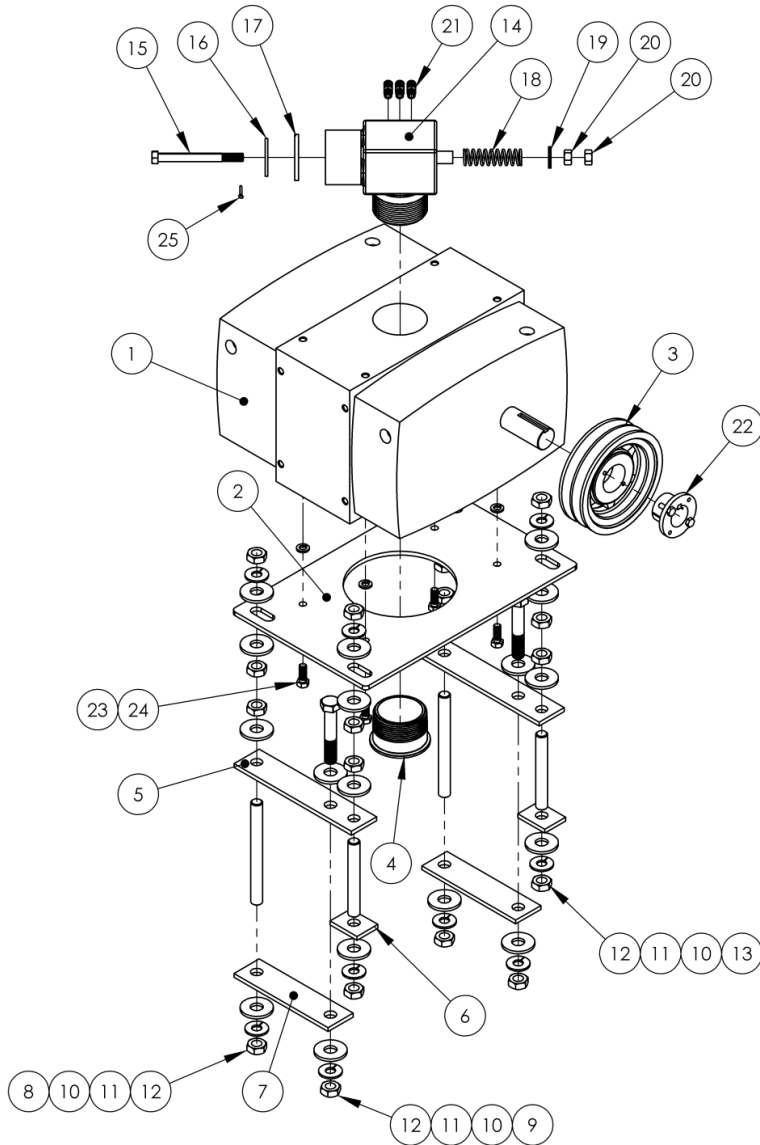
SECTION 5



69-183 ASSEMBLY, VACUUM BLOWER, 1 - 13

Item No.	Part Number	Qty	Description
1	46-055	1	VACUUM PUMP, GD TI-406, PN GYCMJCA0188
2	58-377	1	PLATE, MODEL 370 VACUUM PUMP MOUNTING
3	38-049	1	SHEAVE, BROWNING 2BK62H
4	66-208	1	FLANGE, 370 BLOWER OUTLET
5	58-378	2	PLATE, 3L BLOWER BOLT PLATE, TOP
6	58-379	2	PLATE, 3L BLOWER BOLT PLATE, MIDDLE
7	58-380	2	PLATE, 3L BLOWER BOLT PLATE, BOTTOM
8	66-227-04	2	THREADED ROD, .625-18 X 7.0 IN
9	10-137	2	BOLT, .625-18 X 3.50 HXHD GR5 ZINC
10	12-040	20	WASHER, FLAT .625 USS
11	12-039	10	WASHER, LOCK, .625
12	11-062	18	NUT, 5/8-18 JAM
13	66-227-02	2	THREADED ROD, .625-18 X 5.0 IN

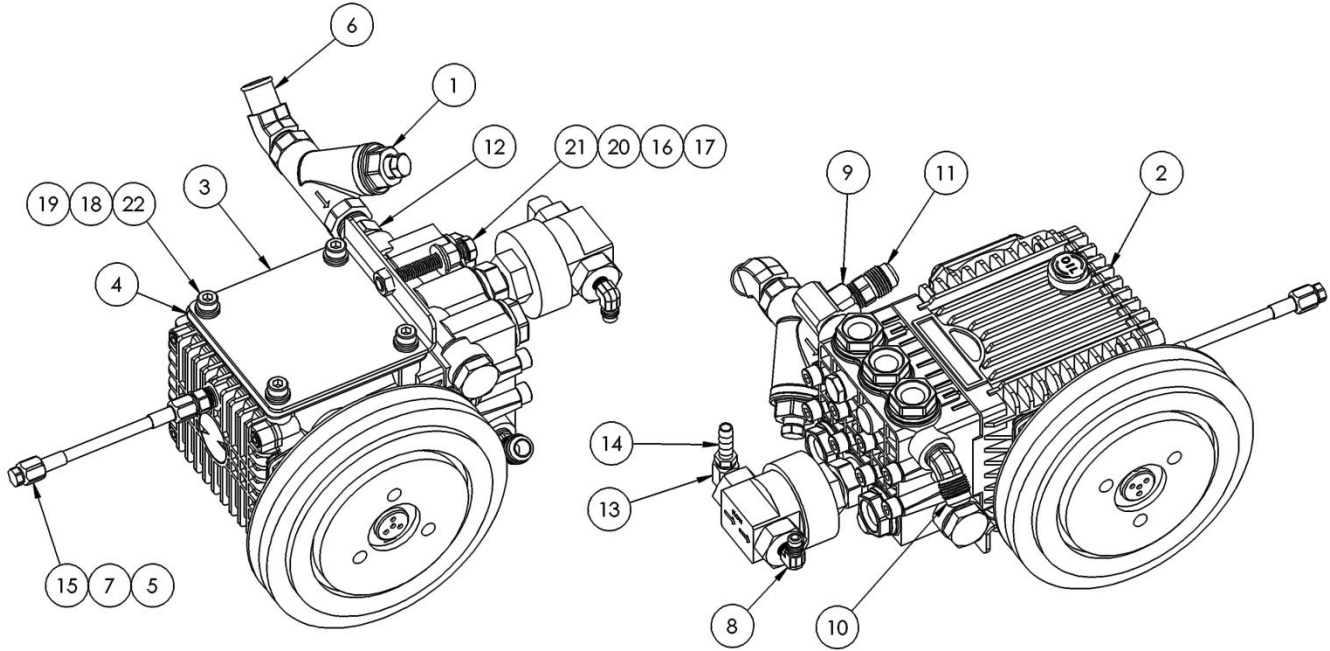
SECTION 5



69-183 ASSEMBLY, VACUUM BLOWER, 14 - 25

Item No.	Part Number	Qty	Description
14	66-000	1	VAC BREAK 3L-4M
15	10-001	1	SCREW, MACH 7/16-14 X 4-1/2 HEXHD
16	61-077	1	STEM-VACUUM RELIEF VLV 3L4M
17	41-010	1	DIAPHRAGM, VACUUM RELIEF VLV 3L &4M
18	15-002	1	SPRING, VAC RELIEF VALVE
19	12-021	2	WASHER, FLAT 7/16 ZINC
20	11-012	2	NUT, 7/16-14 ZP
21	21-028	3	CONN, 1/8 P X 1/4 POLY
22	38-056	1	BUSHING, BROWNING H X 1.250
23	12-014	4	LKWSR, 3/8 ZINC
24	10-029	4	SCREW, MACH 3/8-16 X 1 HXHD
25	14-032	1	PIN, COTTER 7/64 X 3/4 SS

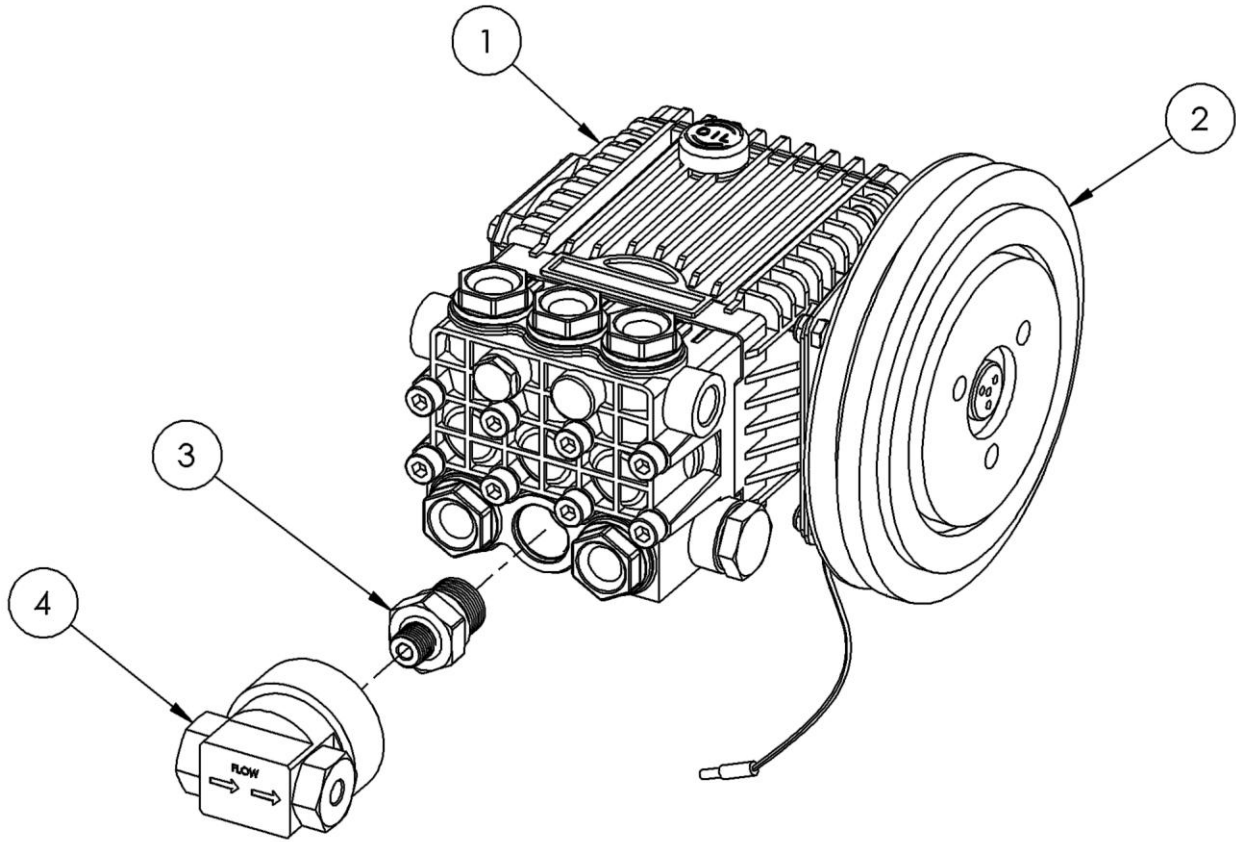
SECTION 5



69-455, ASSY, WATER PUMP (GENERAL PUMP – FOR SERIAL #'S 757 AND UP)

Item No.	Part Number	Qty	Description
1	69-505	1	ASSY, 1/2 WYE STRAINER
2	68-179	1	ASSY, PRESSURE PUMP
3	61-909	1	WELDMENT, PRESSURE PUMP ADJUST
4	58-618	1	PLATE, GEN HTX1813S SHIM .060 THK
5	21-435	1	FTTG, 1/4 BSPP X 1/4 JIC STEEL
6	21-324	1	ELL, 1/2 NPT X 5/8 BARB 45 DEG BRASS
7	21-096	1	PLUG, 1/4 JIC BRASS
8	21-066	1	ELL, 1/8 NPT X 1/4 JIC BRASS
9	21-062	1	TEE, 3/8 FNPT X NPT X FNPT BRASS
10	21-059	1	ELL, 3/8 NPT X 1/2 JIC 45 DEG BRASS
11	21-057	1	CONN, 3/8 NPT X 1/2 JIC BRASS
12	21-047	1	NIP, 1/2 IN HEX BRASS
13	21-038	1	ELL, STREET 1/8 IN BRASS
14	21-007	1	FTTG, BRB 1/8 P X 5/16 H BR
15	18-215-02	1	HOSE ASSEMBLY, 3/16 ID X 04 FJIC X 04 FJIC X 5.0 L W/SS & CVR
16	12-014	1	LKWSR, 3/8 ZINC
17	12-013	1	WASHER, FLAT 3/8 SAE
18	12-005	4	LKWSR, M8 HARD
19	12-004	4	WASHER, M8 ZINC
20	11-006	1	NUT, 3/8-16 ZINC
21	10-056	1	BOLT, TAP 3/8-16 X 2-1/2 GR 5
22	10-000	4	SCREW, M8-1.25 X 20 SOCHD

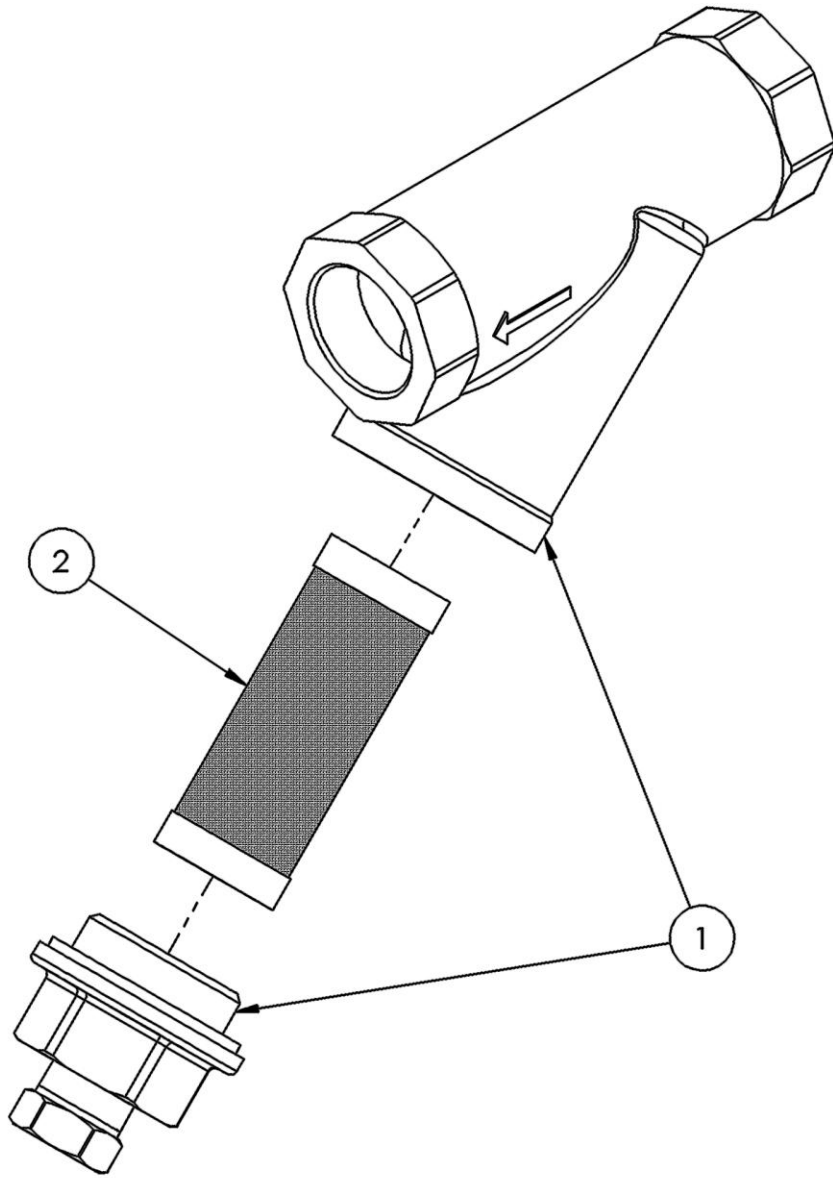
SECTION 5



68-179, ASSY, PRESSURE PUMP (GENERAL PUMP FOR SERIAL #'S 757 AND UP)

Item No.	Part Number	Qty	Description
1	46-063	1	PUMP, WATER GENERAL HTX1813S
2	35-029	1	CLUTCH, GENERAL 100718 12V 1G
3	36-412	1	ADAPTER, 63(TX) PUMP SERIES
4	46-056	1	PUMP, CHEMICAL

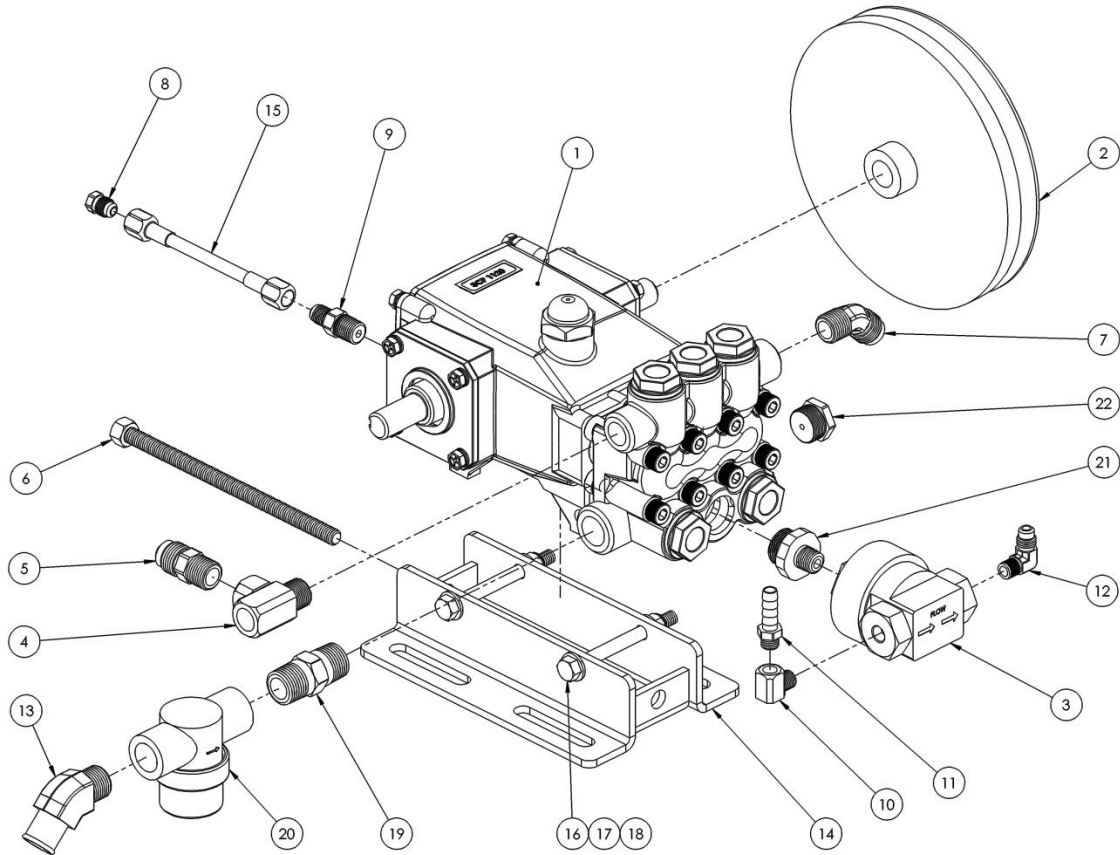
SECTION 5



69-505, ASSY, 1/2 IN WYE STRAINER

Item No.	Part Number	Qty	Description
1	20-049	1	STRAINER, 1/2 WYE BRASS
2	20-050	1	SCREEN, 1/2 IN WYE STRAINER

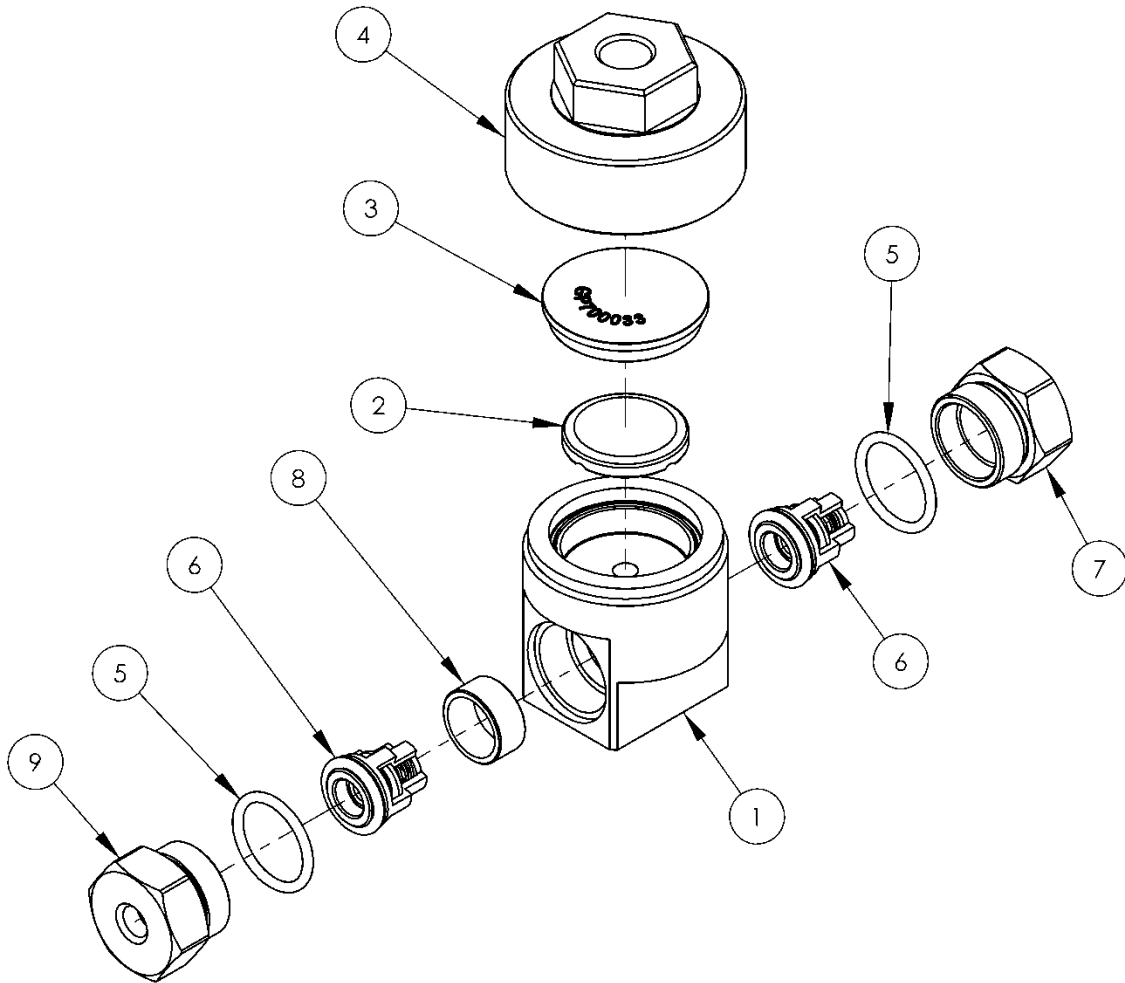
SECTION 5



69-368, ASSY, WATER PUMP (CAT PUMP FOR SERIAL #'S 000 - 756)

Item No.	Part Number	Qty	Description
1	46-051	1	PUMP, CAT 3CP1120S.3 HOT AND DRY
2	35-001	1	CLUTCH, ELECT CAT3CP 16.5MM
3	46-056	1	PUMP, CHEMICAL, MFG BY GENERAL PUMP
4	21-062	1	TEE, 3/8 FNPT X NPT X FNPT BRASS
5	21-057	1	CONN, 3/8 NPT X 1/2 JIC BRASS
6	61-670	1	WELDMENT, PUMP ADJUSTMENT BOLT
7	21-059	1	ELL, 3/8 NPT X 1/2 JIC 45 DEG BRASS
8	21-096	1	PLUG, 1/4 JIC BRASS
9	21-050	1	CONN, 1/4 NTP X -04 JIC BRASS
10	21-038	1	ELL, STREET 1/8 IN BRASS
11	21-007	1	FTTG, BRB 1/8 P X 5/16 H BR
12	21-066	1	ELL, 1/8 NPT X 1/4 JIC BRASS
13	21-324	1	ELL, 1/2 NPT X 5/8 BARB 45 DEG BRASS
14	61-450	1	ASSY, MOUNTING BRACKET, 3CP1120 CAT PUMP
15	18-215-02	1	HOSE ASSEMBLY, 3/16 ID X 04 FJIC X 04 FJIC X 5.0 L W/SS & CVR
16	10-014	2	SCREW, MACHINE 5/16-18 X 3-1/4
17	12-017	4	WASHER, FLAT 5/16 SAE ZINC
18	11-005	2	NUT, 5/16-18 ZINC
19	21-047	1	NIP, 1/2 IN HEX BRASS
20	20-033	1	FILTER, MICRO INLINE CAT 1/2 FNPT X 1/2 FNPT
21	66-002	1	ADAPTOR, CHEMICAL PUMP
22	21-065	1	PLUG, 1/2 NPT SOLID BRASS HEXHD

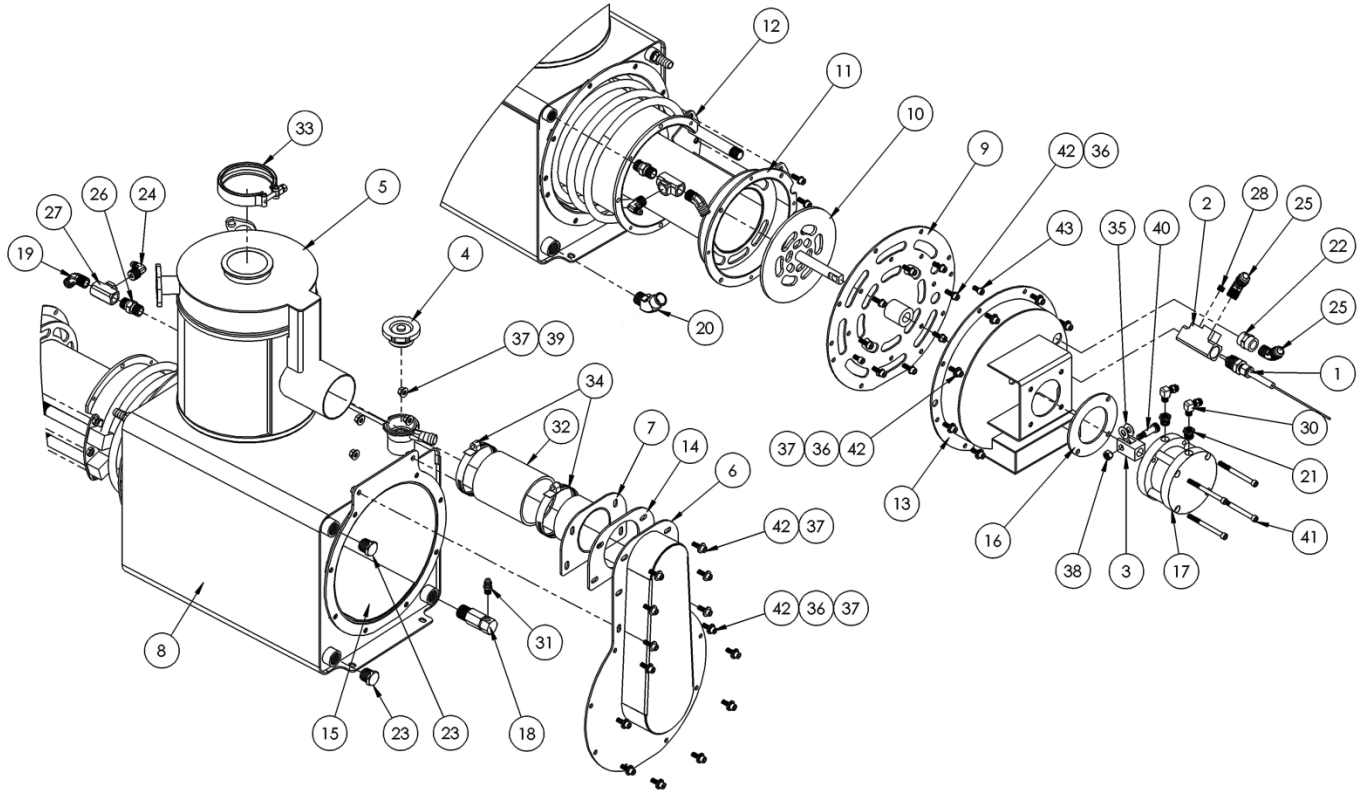
SECTION 5



46-056 PUMP, CHEMICAL, GENERAL PUMP

Item No.	Part Number	Qty	Description
1	36-350	1	BODY, PULSE PUMP, GP PULSE PUMP
2	36-351	1	PLASTIC DISC, GP PULSE PUMP
3	36-352	1	RUBBER DIAPHRAGM, GP PULSE PUMP
4	36-353	1	TOP COVER INLET, GP PULSE PUMP
5	36-354	2	O-RING, 70 DURO, GP PULSE PUMP
6	36-356	2	ASSY, VALVE KIT, GP CHEMICAL PULSE PUMP
7	36-355	1	VALVE CAP 303SST, GP PULSE PUMP
8	36-357	1	SPACER RING, 303 SST, GP PULSE PUMP
9	36-358	1	VALVE CAP, 303 SST, GP PULSE PUMP PMP 520196

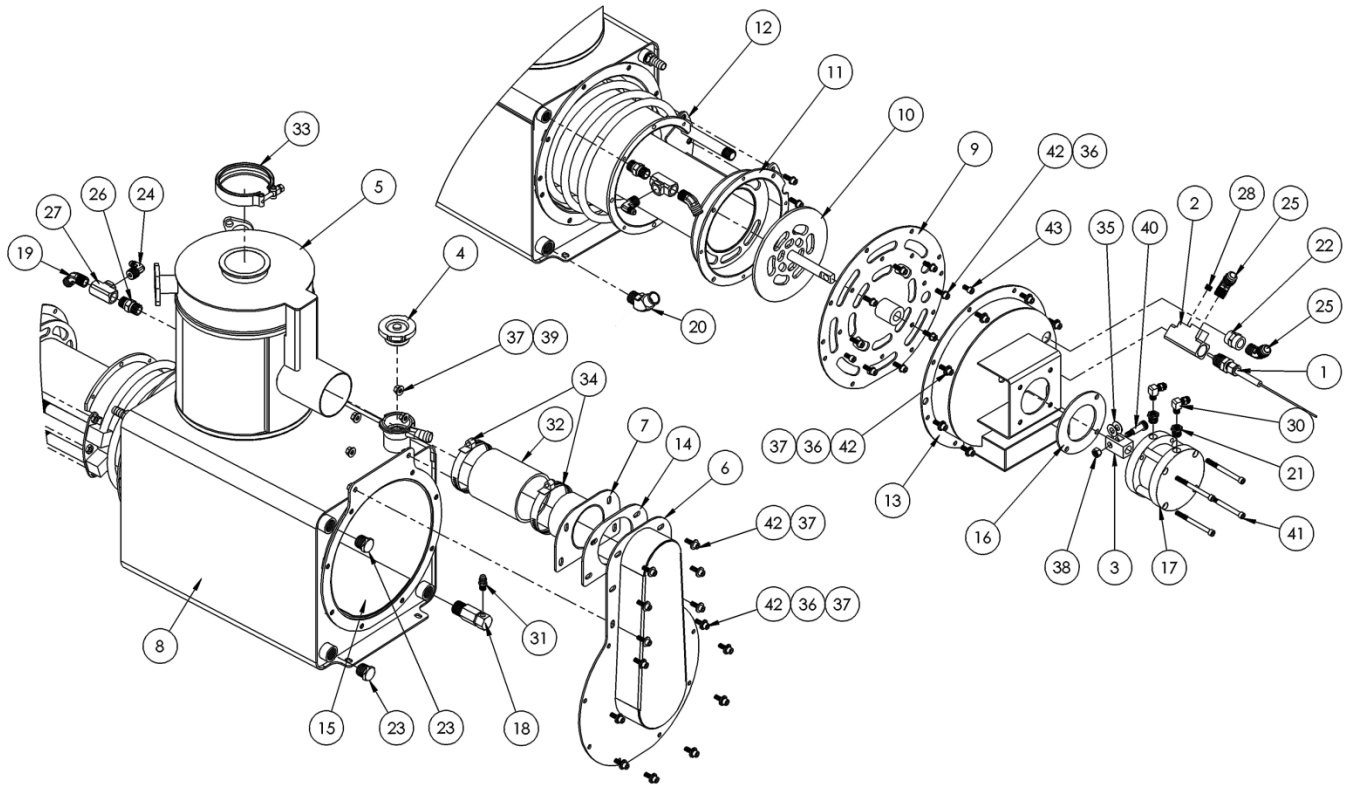
SECTION 5



69-429, ASSY, THERMAL WELL, 1 – 22

Item No.	Part Number	Qty	Description
1	66-286	1	ADAPTER, THERMOCOUPLE
2	66-246	1	MANIFOLD, TEMPERATURE SENSORS
3	66-211	1	7/8 SQ CLEVIS WITH 5E-11 THREAD
4	63-182	1	CAP, RADIATOR 23LB
5	63-107	1	ASSY, SILENCER
6	61-875	1	WELDMENT, INLET ADAPTER
7	61-871	1	WELDMENT, INLET ADAPTER TUBE
8	61-869	1	WELDMENT, WATER BOX
9	61-464	1	ASSY, DIVERTER HOUSING PLATE
10	61-463	1	ASSY, DIVERTER PLATE
11	61-462	1	ASSY, DIVERTER CHAMBER
12	61-461	1	ASSY, FINNED TUBE COIL
13	61-458-1	1	ASSY, WELDMENT DIVERTER COVER
14	41-125	1	GASKET, INLET ADAPTER
15	41-092	1	GASKET, 5-13/16 X 17 X 1/16 SILICONE SHT W/PSA
16	41-069	1	GASKET, DIVERTER CYLINDER
17	23-067	1	CYLINDER, AIR BIMBA FO-701.5-CMTV
18	23-033	1	VALVE, 165 DEG THERMAL CAT 7145
19	21-413	1	FTTG, BRB 45 DEG 3/8P X 5/8H
20	21-324	1	ELL, 1/2 NPT X 5/8 BARB 45 DEG BRASS
21	21-076	2	BUSHING, 1/4 NPT X 1/8 FNPT BRASS
22	21-073	1	COUPLING, 3/8 NPT BRASS

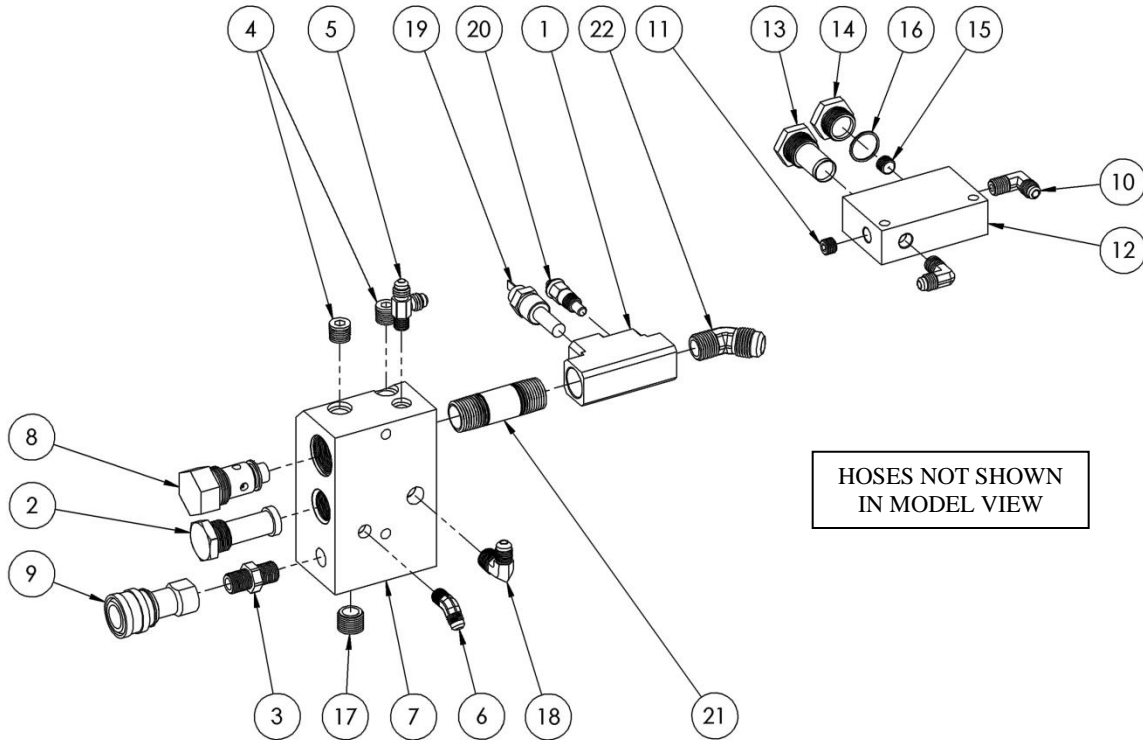
SECTION 5



69-429, ASSY, THERMAL WELL, 23 – 43

Item No.	Part Number	Qty	Description
23	21-065	2	PLUG, 1/2 NPT SOLID BRASS HXHD
24	21-063	1	ELL, 3/8 P X 1/4 T BRASS
25	21-059	2	ELL, 3/8 NPT X 1/2 JIC 45 DEG BRASS
26	21-046	1	NIP, 3/8 IN HEX BRASS
27	21-041	1	TEE, 3/8 NPT BRASS
28	21-029	1	PLUG, 1/8 NPT SOCKET HD BRASS
29	21-014	1	FTTG, BRB 3/8 X 1/2 BRASS
30	21-011	2	ELL, 1/8 NPT X 1/4 POLY BRASS
31	21-001	1	CONN, 1/8 P X 1/4 T
32	16-108	4"	HOSE, 3 IN ID SILICONE
33	14-046	1	CLAMP, 2-1/2" V-BAND
34	14-024	2	CLAMP, HOSE #48 SS
35	12-028	2	WASHER, FLAT 3/8 X 13/16 X 1/32 PTFE
36	12-003	33	LKWSR 1/4 SS
37	12-002	28	WASHER, FLAT 1/4 SS
38	11-090	1	NUT, 5/16-18 TOPLOCK GRC Z
39	11-001	6	NUT, 1/4-20 SS
40	10-234	1	BOLT, 3/8 X 7/8 SHOULDER 5/16-18 THD
41	10-143	4	BOLT, 1/4-20 X 3 SHCS
42	10-021	33	SCREW, MACH 1/4-20 X 3/4 SOCHD SS
43	10-007	2	SCREW, MACH 1/4-20 X 1/2 SOCHD SS

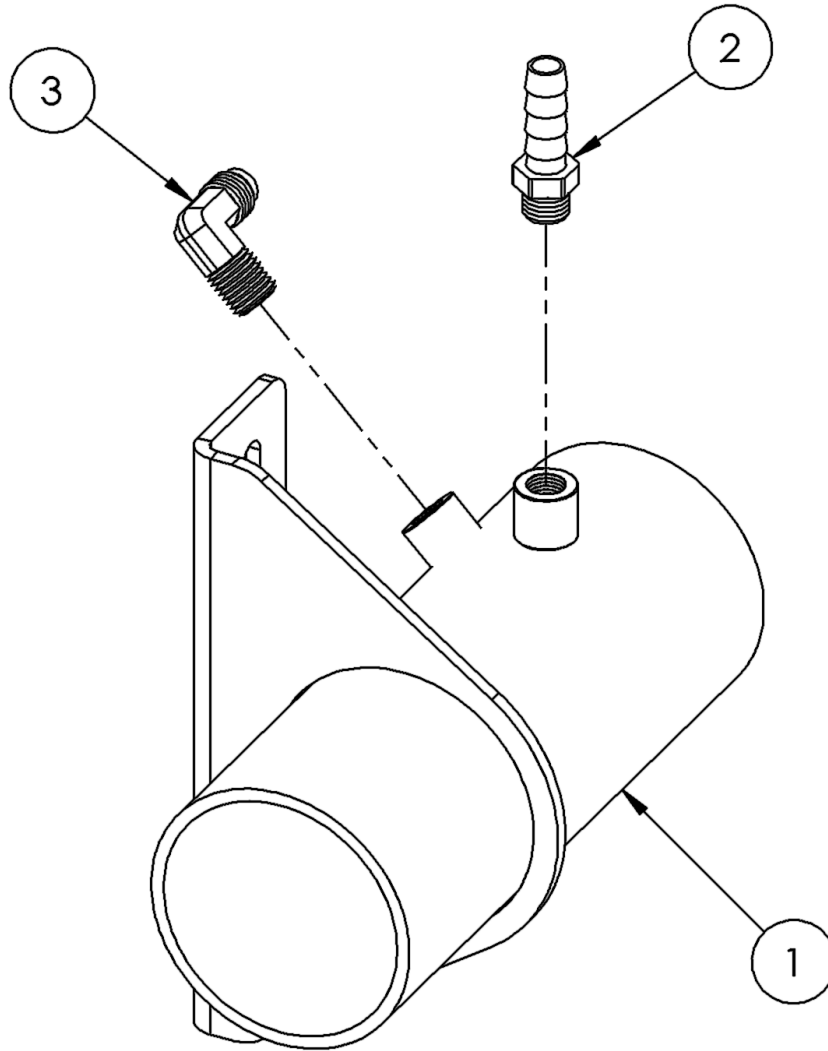
SECTION 5



69-192 ASSY, MANIFOLD BLOCK

Item No.	Part Number	Qty	Description
1	66-246	1	MANIFOLD, TEMPERATURE SENSORS
2	20-018	1	SCREEN, CHECK VALVE MANIFOLD
3	21-026	1	NIPPLE, 1/4 NPT NPT HEX BRASS
4	21-264	3	PLUG, 1/4 NPT BRASS
5	21-336	1	TEE, 1/8 NPT X 1/4 JIC X 1/4 JIC BRASS
6	21-055	1	ELL, 1-8 P X 1/4 T 45 DEG BRASS
7	66-205	1	MANIFOLD BLOCK
8	23-063	1	CHECK VALVE MANIFOLD
9	25-001	1	QUICK DISCONNECT, .25 NPT, SOCKET, HANSEN SERIES B2-HK
10	21-054	2	ELL, 1-8P X 1-4 T BRASS
11	21-029	1	PLUG, 1/8 NPT SOCKET HD BRASS
12	66-011	1	MANIFOLD, BYPASS
13	20-015	1	SCREEN, BYPASS MANIFOLD
14	66-017	1	CAP, CHECK VALVE
15	66-019	1	ORFICE, BYPASS MANIFOLD, .024 RED
16	41-003	1	ORING, .676 ID .816 OD
17	21-146	1	PLUG, 3/8 NPT BRASS
18	21-064	1	ELL, 1/4 P X 1/4 T BRASS
19	34-008	1	SENSOR, TEMP 285 DEG NASON
20	34-000	1	SENSOR, TEMP 140-320 DEGREE
21	21-374	1	NIPPLE, 1/2 NPT X 2-1/2 L SS
22	21-059	1	ELL, 3/8 NPT X 1/2 JIC 45 DEG BRASS
23	18-215-08	1	HOSE ASSEMBLY, 3/16 ID X 04 FJIC X 04 FJIC X 15.5L W / SS & CVR
24	18-215-07	2	HOSE ASSEMBLY, 3/16 ID X 04 FJIC X 04 FJIC X 14.75L W / SS & CVR
25	18-215-06	1	HOSE ASSEMBLY, 3/16 ID X 04 FJIC X 04 FJIC X 13.5L W / SS & CVR
26	18-215-05	1	HOSE, 3/16 DIA X 1/4 FJIC X 1/4 FJIC X 12.5 L W-CVR
27	18-214-12	1	HOSE ASSEMBLY, 1/2 IDA X 1/2 FJIC X 1/2 FJIC 16.0 L W/SLEEVE

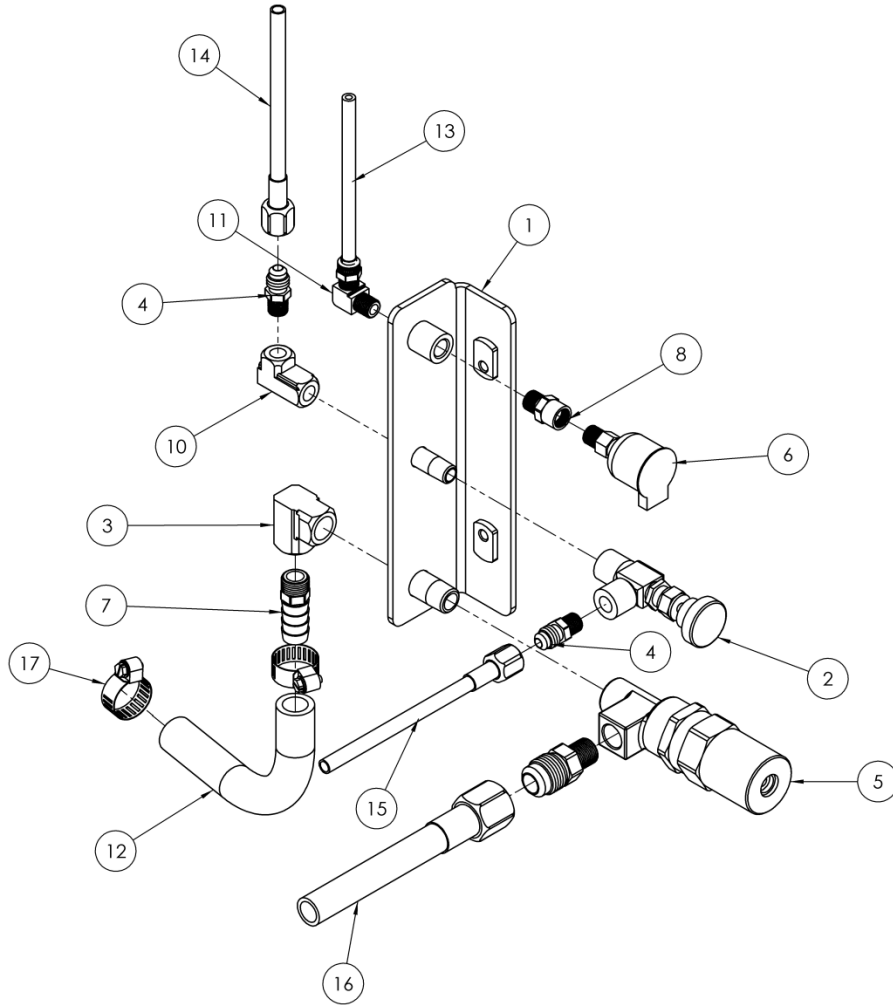
SECTION 5



69-295 ASSY, VACUUM BRACKET

Item No.	Part Number	Qty	Description
1	61-582	1	WELDMENT, VACUUM BRACKET
2	21-007	1	FTTG, BRB 1/8 P X 5/16 H BR
3	21-054	1	ELL, 1-8P X 1-4 T BRASS

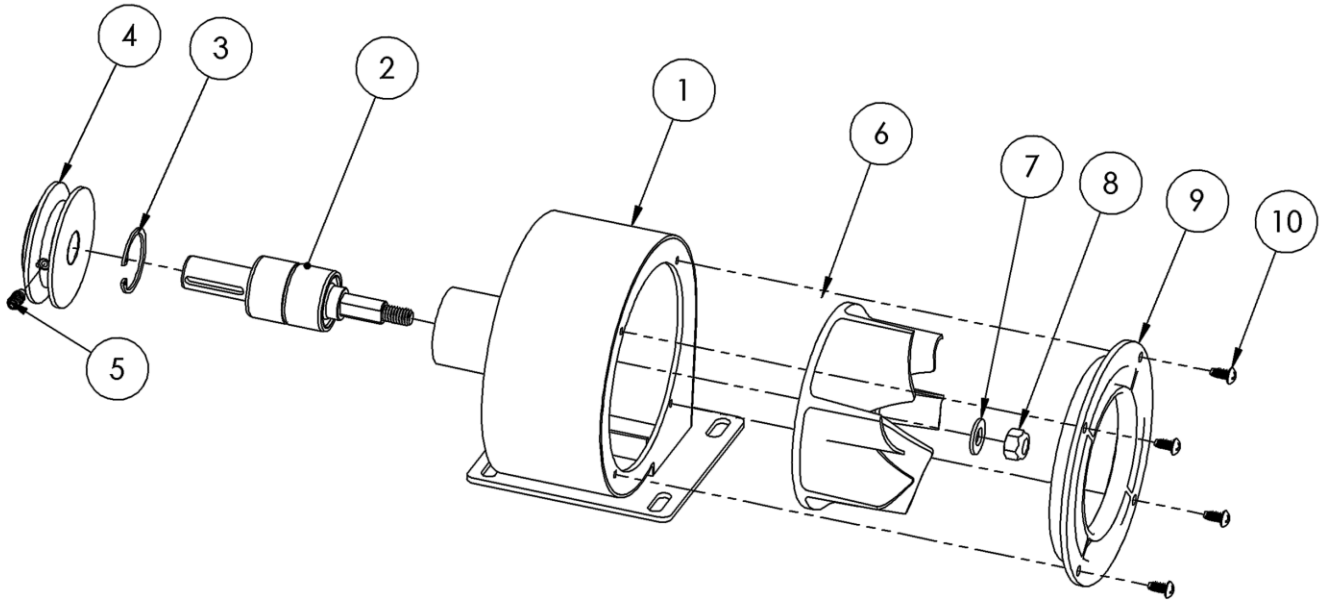
SECTION 5



69-187 ASSEMBLY, BRACKET, MOUNTING, LOWER RIGHT

Item No.	Part Number	Qty	Description
1	61-456	1	ASSEMBLY, BRACKET, REGULATOR MOUNTING
2	23-029	1	VLV, MET 1/8 FP RT ANG WHITEY
3	21-037	1	FITTING, ELBOW, .25 IN NPT, BRASS
4	21-001	2	CONN, 1/8 P X 1/4 T BR
5	23-010	1	REGULATOR, PRESSURE (SUTTNER) TM
6	28-000	1	CUP, OILFILL, 1/8 NPT
7	21-323	1	FITTING, 1/4 NPT X 1/2 H BRB BRASS
8	21-333	1	COUPLING, 1/8 FNPT X 1/8 MNPT BRASS
9	21-325	1	ADAPTER, 1/4 MNPT X 1/2 MJIC BRASS
10	21-090	1	ELL, 1/8 FNPT X 1/8 FNPT BRASS
11	21-011	1	ELL, 1/8 NPT X 1/4 POLY BRASS
12	16-003	24"	HOSE, WTR. 1/2 IN HRZ. 500 FT BULK
13	16-017	4.83'	TUBING, IMPOLENE 250FT
14	18-215-05	1	HOSE ASSY, 3/16 ID X 04 FJIC X 04 FJIC X 12.5" L
15	18-215-03	1	HOSE ASSY, 3/16 ID X 04 FJIC X 04 FJIC X 8.5L
16	18-214-02	1	HOSE ASSY, 7/16 ID X 08 FJIC X 08 FJIC 11.OL
17	14-011	2	CLAMP, HOSE, #6 SS

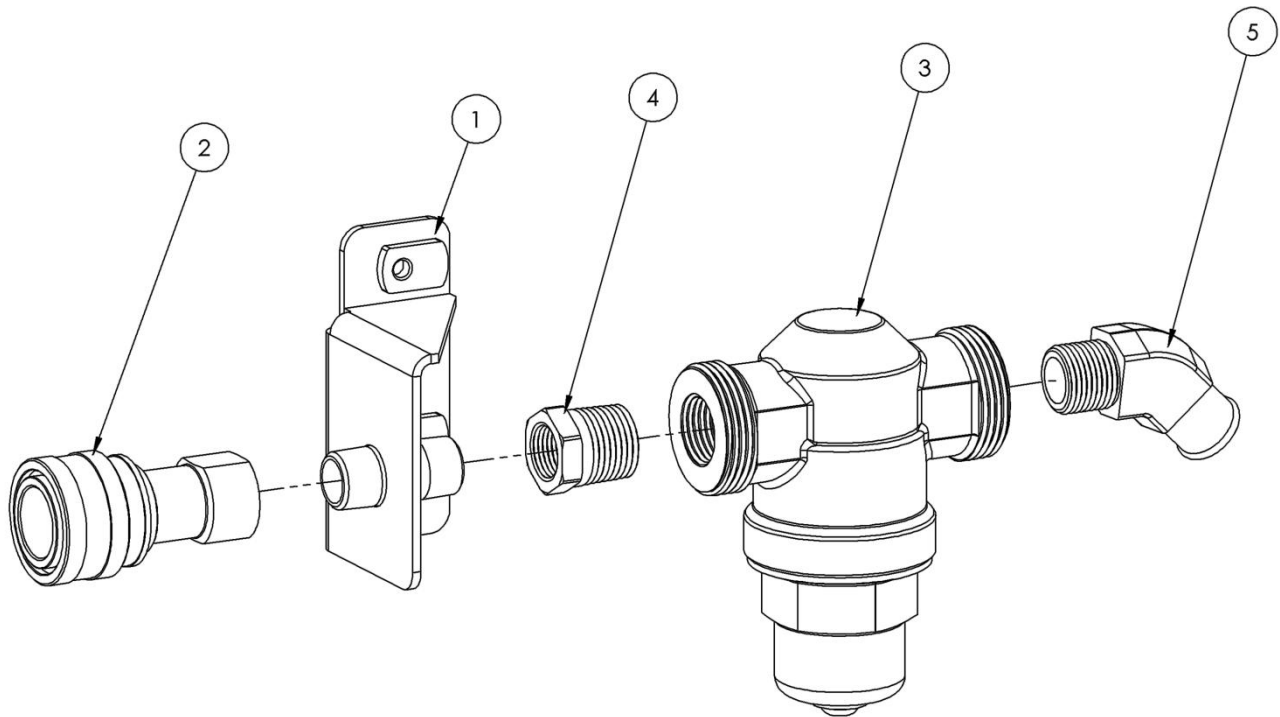
SECTION 5



69-184 ASSEMBLY, BELT GUARD BLOWER

Item No.	Part Number	Qty	Description
1	61-465	1	WELDMENT, BLOWER HOUSING
2	66-263	1	BEARING & SHAFT, BLR HSG STD
3	15-027	1	SNAP RING, 1.187 INTERNAL
4	66-215	1	PULLEY, 3L BELT X 2.340 OD
5	10-219	1	SCREW, FULL DOG SET 1/4-20 X 1/2 BLK
6	51-042	1	AIR WHEEL, MOLDED
7	12-017	1	WASHER, FLAT 5/16 SAE ZINC
8	11-029	1	NUT, 5/16-18 NYLOK
9	51-043	1	COVER, AIR WHEEL
10	10-146	4	SCREW, 8-32 X .375 PHP F THREAD CUTTING ZP

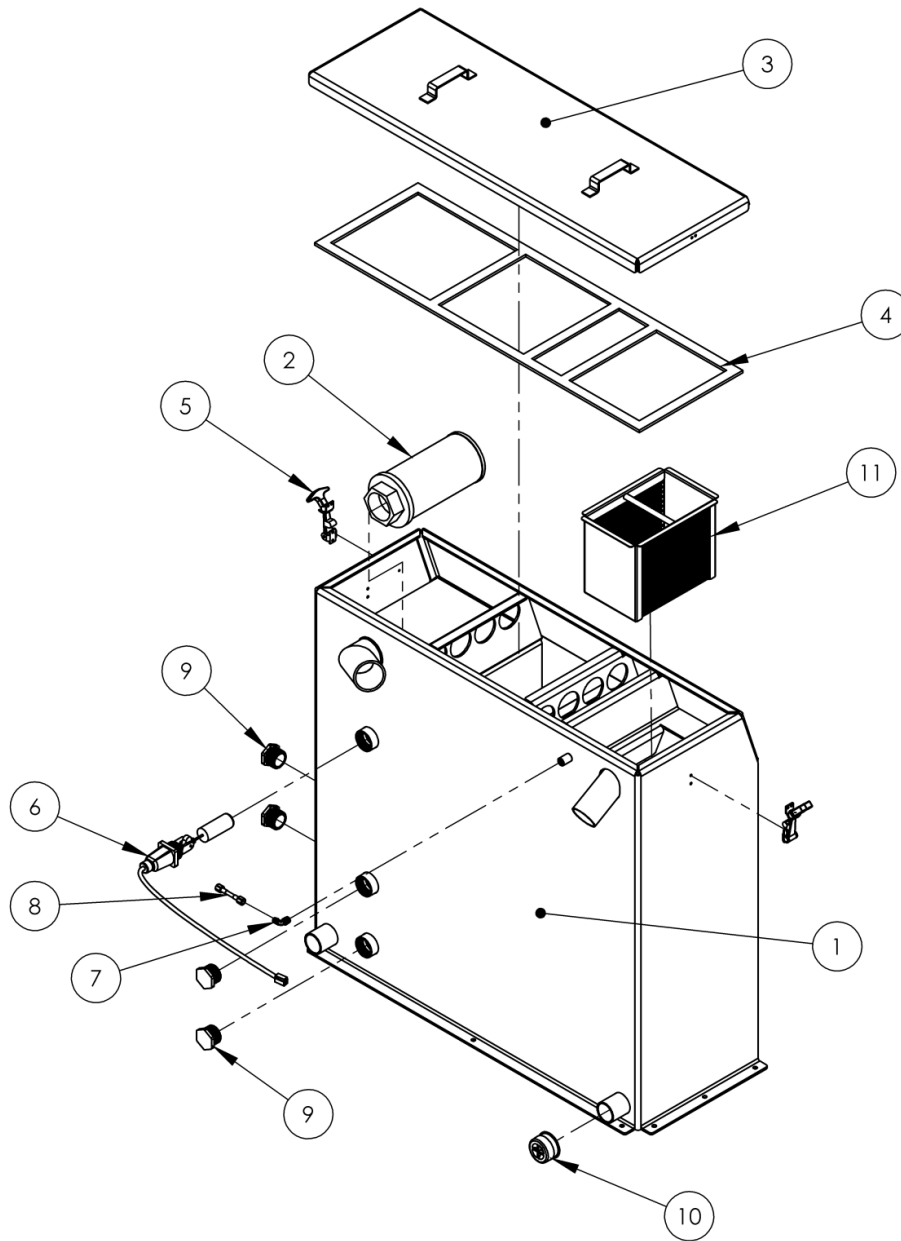
SECTION 5



69-434 ASSEMBLY, BRACKET QD FITTING

Item No.	Part Number	Qty	Description
1	61-507	1	WELDMEN, BRACKET QD MOUNTING
2	25-005	1	QUICK COUPLING, .375F X .375FP, BRASS
3	23-082	1	REGULATOR, PRESSURE EB-45 1/2 NPT
4	21-371	1	BUSHING, 1/2 NPT X 3/8 NPT HEX BRASS
5	21-324	1	ELL, 1/2 NPT X 5/8 BARB 45 DEG BRASS

SECTION 5

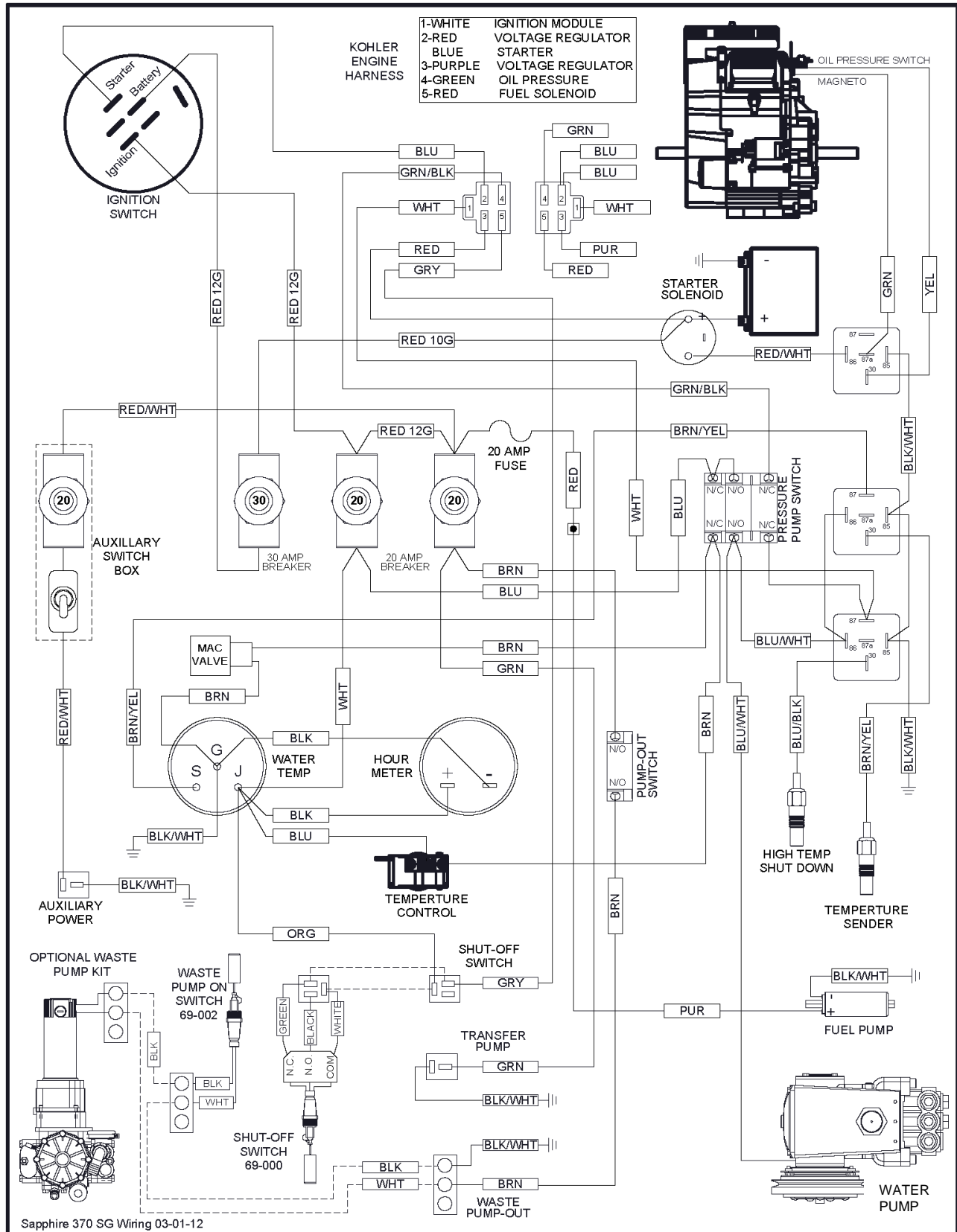


69-241 ASSY, WASTE TANK

Item No.	Part Number	Qty	Description
1	61-586	1	WELDMENT, WASTE TANK
2	20-009	1	2.5 NPT X 5.0 FILTER SCREEN
3	61-587	1	WELDMENT, LID
4	41-018	1	GASKET, SPONGE 1 IN
5	40-003	2	LATCH, PRE-FILTER BOX
6	69-000	1	FLOAT SWITCH
7	21-064	1	ELL, 1/4 P X 1/4 T, BRASS
8	18-215-16	1	HOSE ASSEMBLY, 3-16 ID X 38 OL
9	21-097	4	PLUG, 1-1/4 IN PVC
10	19-009	1	CAP, PLUG 2IN RUBBER
11	61-002	1	WELDMENT, STRAINER BASKET

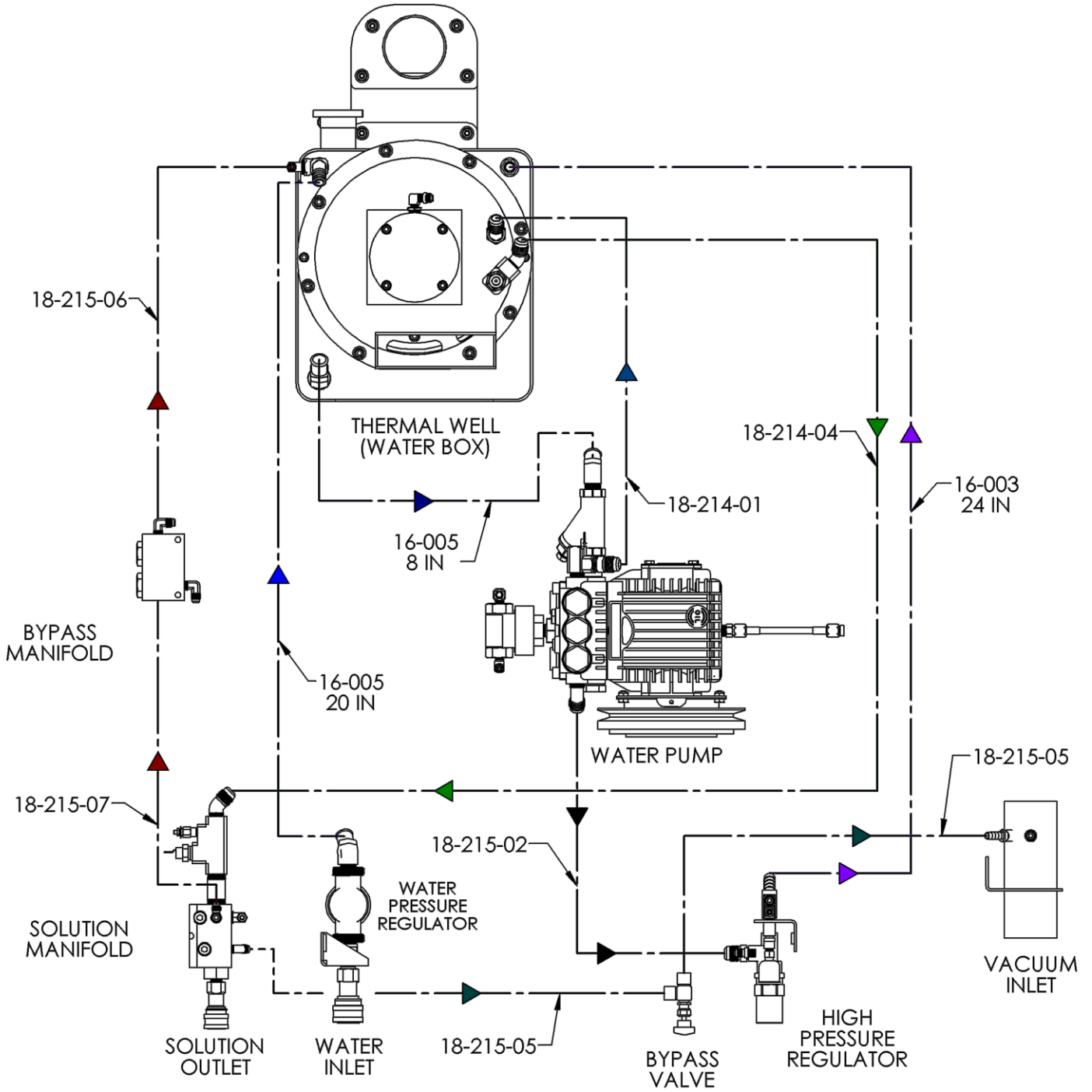
SECTION 5

ELECTRICAL DIAGRAM



SECTION 5

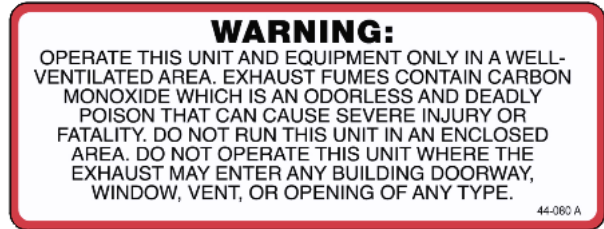
HOSE IDENTIFICATION/FLOW DIAGRAM



SECTION 5



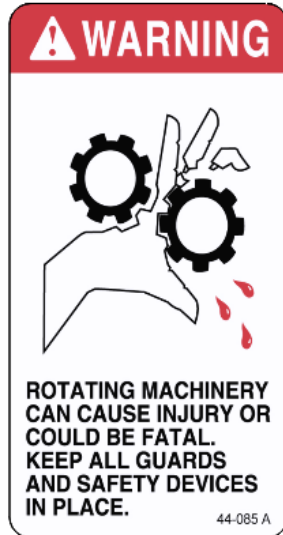
44-084 DECAL, CAUTION HOT SURFACE



44-080 DECAL, WARNING VENTILATED AREA



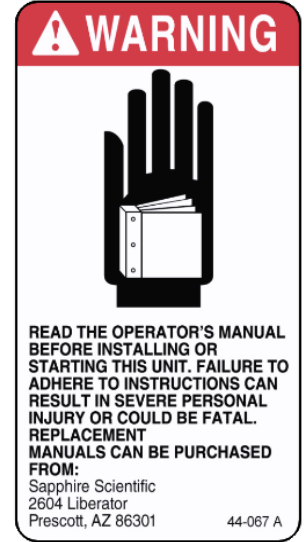
44-066 DECAL, WARNING ELECTRIC SHOCK



44-085 DECAL, WARNING ROTATING MACHINERY



44-083 DECAL, WARNING HIGH PRESSURE



44-067 DECAL, WARNING READ MANUAL



44-081 DECAL, ENGINE COVER WARRANTY



44-090 DECAL, MANIFOLD MAINTENANCE



44-079 DECAL, UNLEADED FUEL ONLY



44-073 DECAL, 370 SS

11. ACCESSORIES

67-014 STRYKER WAND

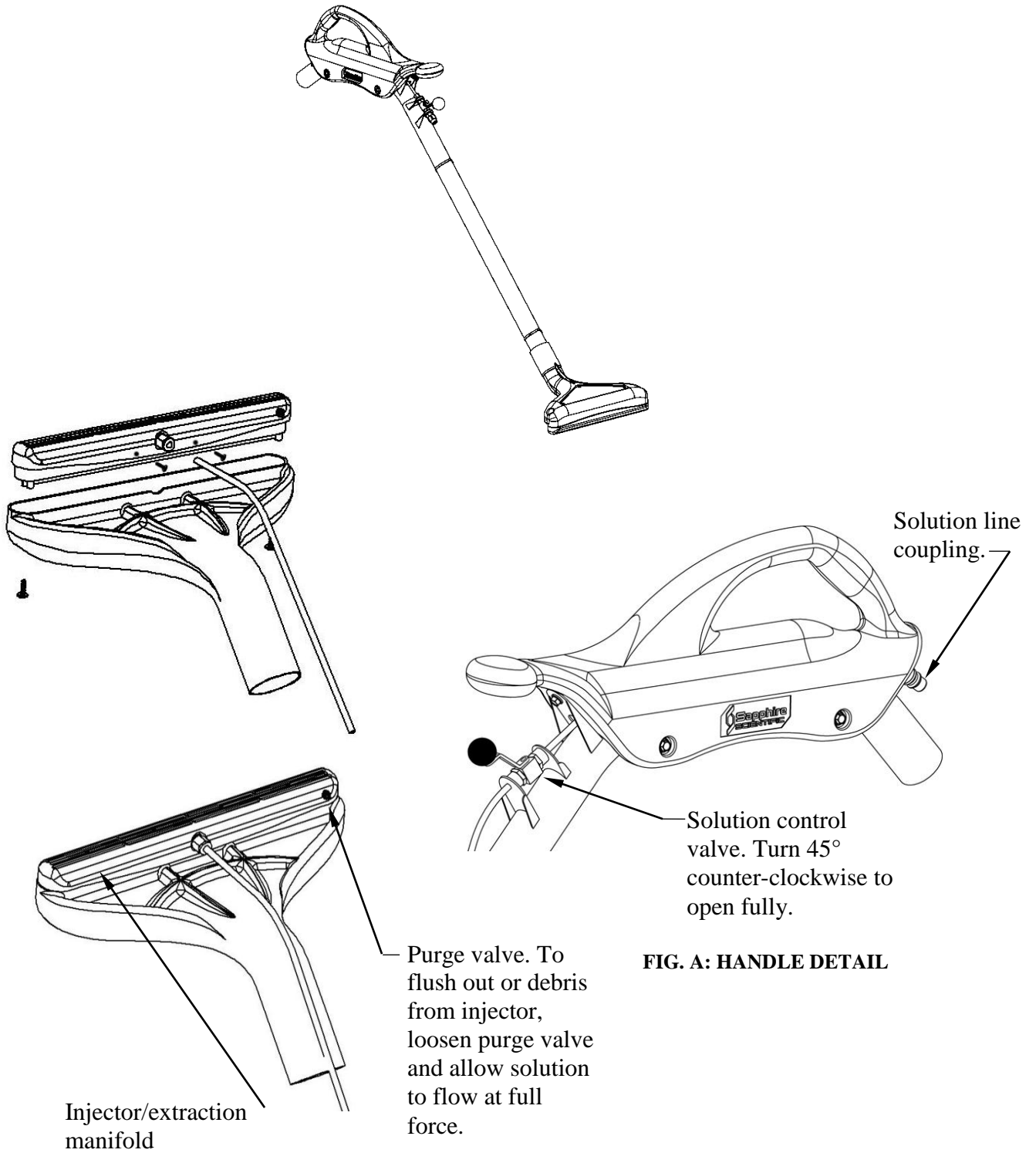
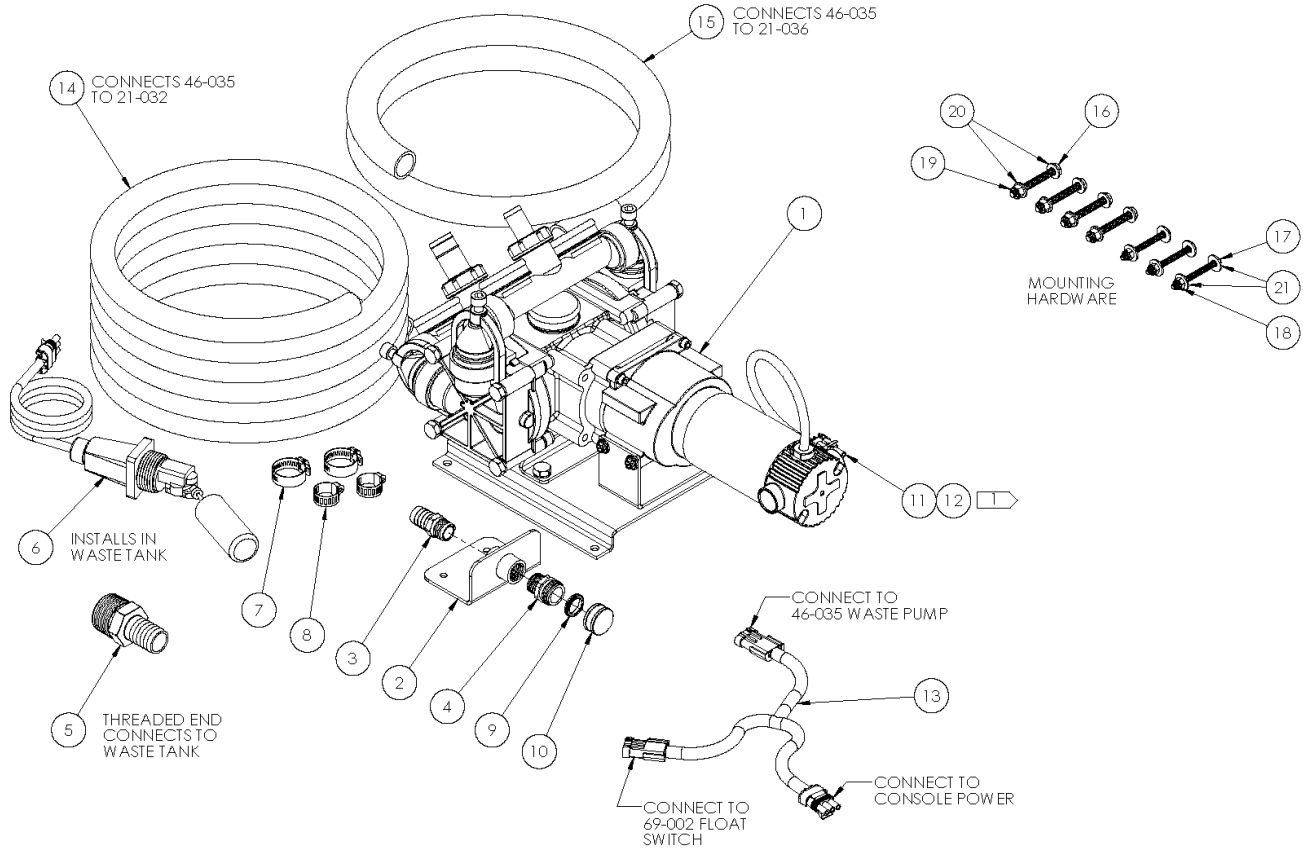


FIG. A: HANDLE DETAIL

SECTION 5



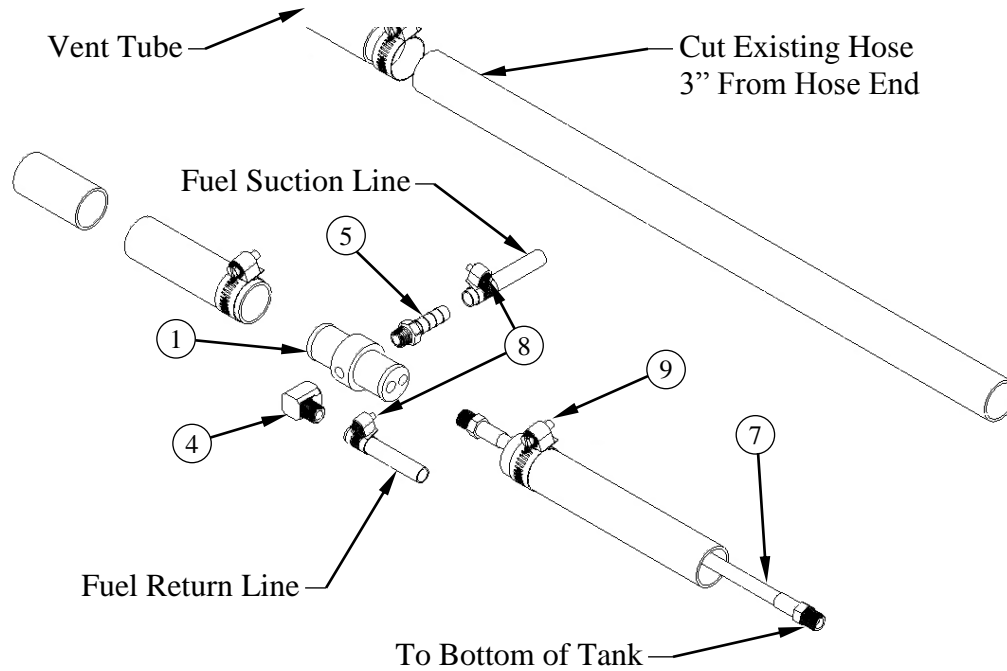
68-158, ASSY, WASTE PUMP OUT

Item No.	Part Number	Qty	Description
1	46-035	1	PUMP, WASTE
2	61-656	1	WELDMENT, HOSE BRACKET
3	21-032	1	FTTG, BRB 1/2 P X 3/4 H BRASS
4	21-398	1	FTTG, GRDN HOSE 1/2 P X 3/4 H
5	21-036	1	FTTG, BARB 1-1/4 P X 1 IN BARB
6	69-002	1	ASSY, LVL SENSOR SHTOFF WASTE PUMP
7	14-006	2	CLAMP, HOSE #20 SS
8	14-000	2	CLAMP, HOSE #12 X .5 SS
9	41-038	1	WASHER, GARDEN HOSE CAP
10	21-071	1	CAP, GARDEN HOSE 3/4 BRASS
11	31-016	1	CONN, 3 PRG 1/2 TWR #38045 WAYTEK
12	31-019	3	PIN, FEMALE #31035 WAYTEK
13	47-031	1	HARNESS, WASTE PUMP OUT
14	16-004	6 FT	HOSE, WTR 3/4 IN HRZ 500 FT BULK
15	16-018	2 FT	HOSE, WTR 1 IN HRZ 100 FT BULK
16	10-178	4	BOLT, TAP 5/16-18 X 2-1/2 HXHD Z
17	10-068	3	BOLT, TAP 1/4-20 X 2-1/2
18	11-013	3	LKNUT, 1/4-20 NYLOK
19	11-029	4	NUT, 5/16-18 NYLOK
20	12-017	8	WASHER, FLAT 5/16 SAE ZINC

SECTION 5

1992 TO 2002 FORD FUEL LINE INSTALLATION

FIG. B: EXTRACTION HEAD (Bottom view)

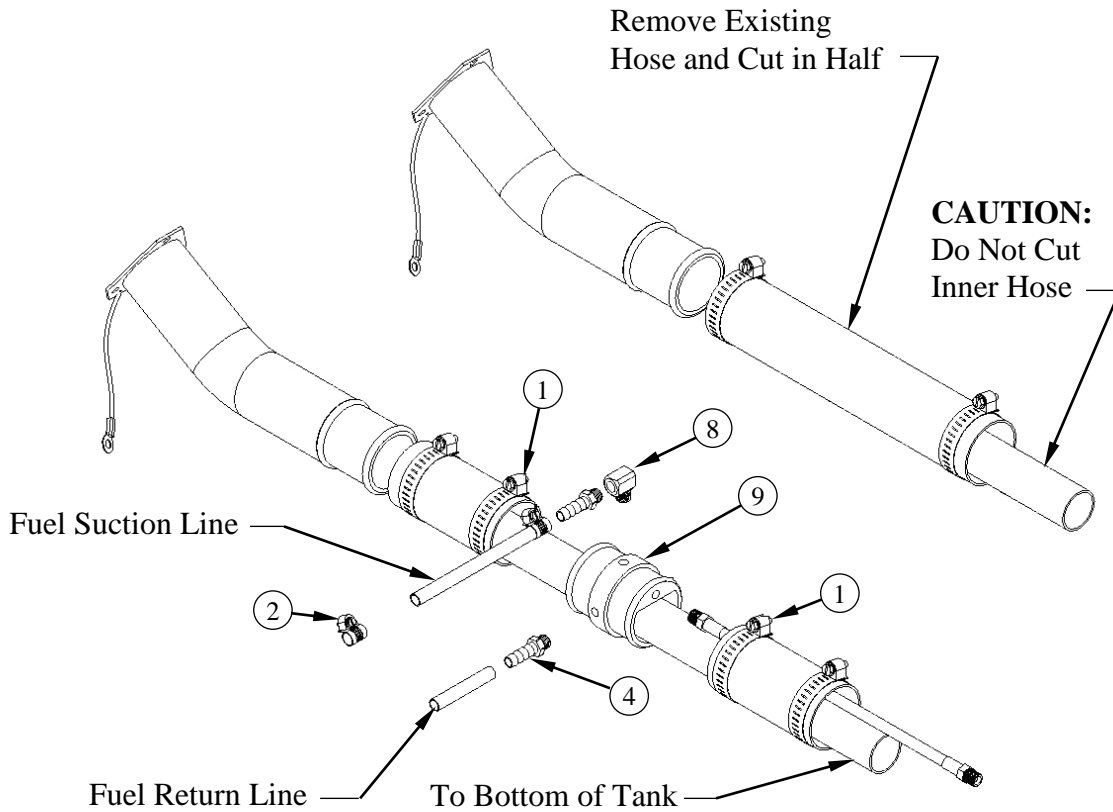


69-005FI KIT, FUEL HOOKUP FORD FI

Item No.	Part Number	Qty	Description
1	66-031	1	ADAPTOR, VENT TUBE(FORD)
2	21-086	2	FTTG, BULKHEAD 1/4 IN BRASS
3	21-039	2	ELL, 1/4 IN LG STREET BRASS
4	21-038	1	ELL, STREET 1/8 IN BRASS
5	21-007	2	FTTG, BRB 1/8P X 5/16 H BR
6	21-006	4	FTTG, BRB 1/4P X 5//16H BR
7	18-028	1	HOSE, 3/16 X 25 (1/8P X 1/8P NO COVER)
8	14-011	6	CLAMP, HOSE FUEL # 6
9	14-000	2	CLAMP, HOSE #12

SECTION 5

CHEVY AND GMC FULL SIZE VAN FUEL LINE INSTALLATION

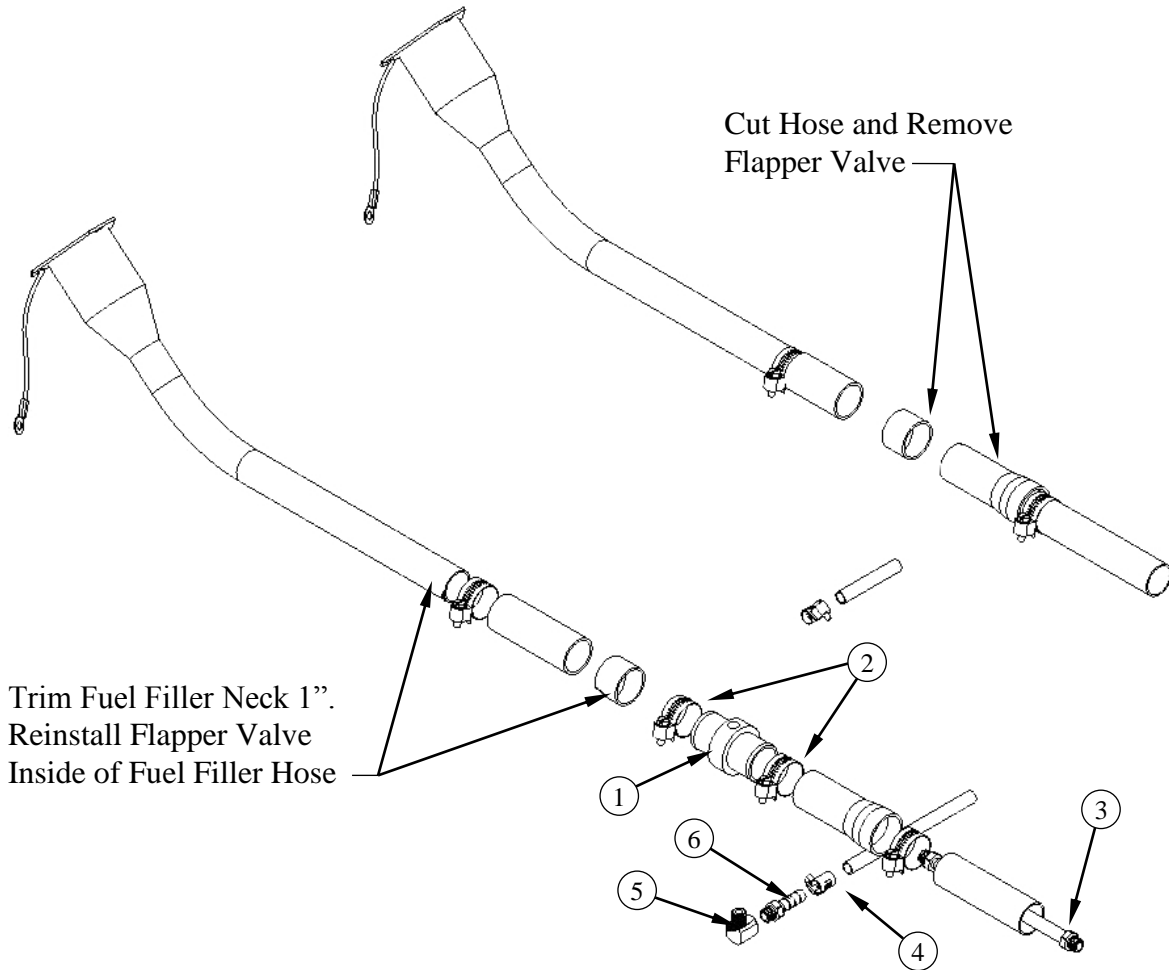


69-003FI KIT, FUEL HOOKUP 97 & 2002 FI

Item No.	Part Number	Qty	Description
1	14-010	2	CLAMP, HOSE # 32
2	14-011	6	CLAMP, HOSE FUEL # 6
3	21-006	4	FTTG, BRB 1/4P X 5//16H BR
4	21-007	2	FTTG, BRB 1/8P X 5/16 H BR
5	21-038	1	ELL, STREET 1/8 IN BRASS
6	21-039	2	ELL,1/4 IN LG STREET BRASS
7	21-086	2	FTTG, BULKHEAD 1/4 IN BRASS
8	21-116	1	ELL, 1/8 FP X 1/8 FP BRONZE
9	66-030	1	ADAPTOR,FUEL NECK(CHEVY)
10	18-027	2	HOSE, 3/16 X 5 (1/8P X 1/8P NO CVR)

SECTION 5

2003 CHEVY AND GMC FULL SIZE VAN FUEL LINE INSTALLATION

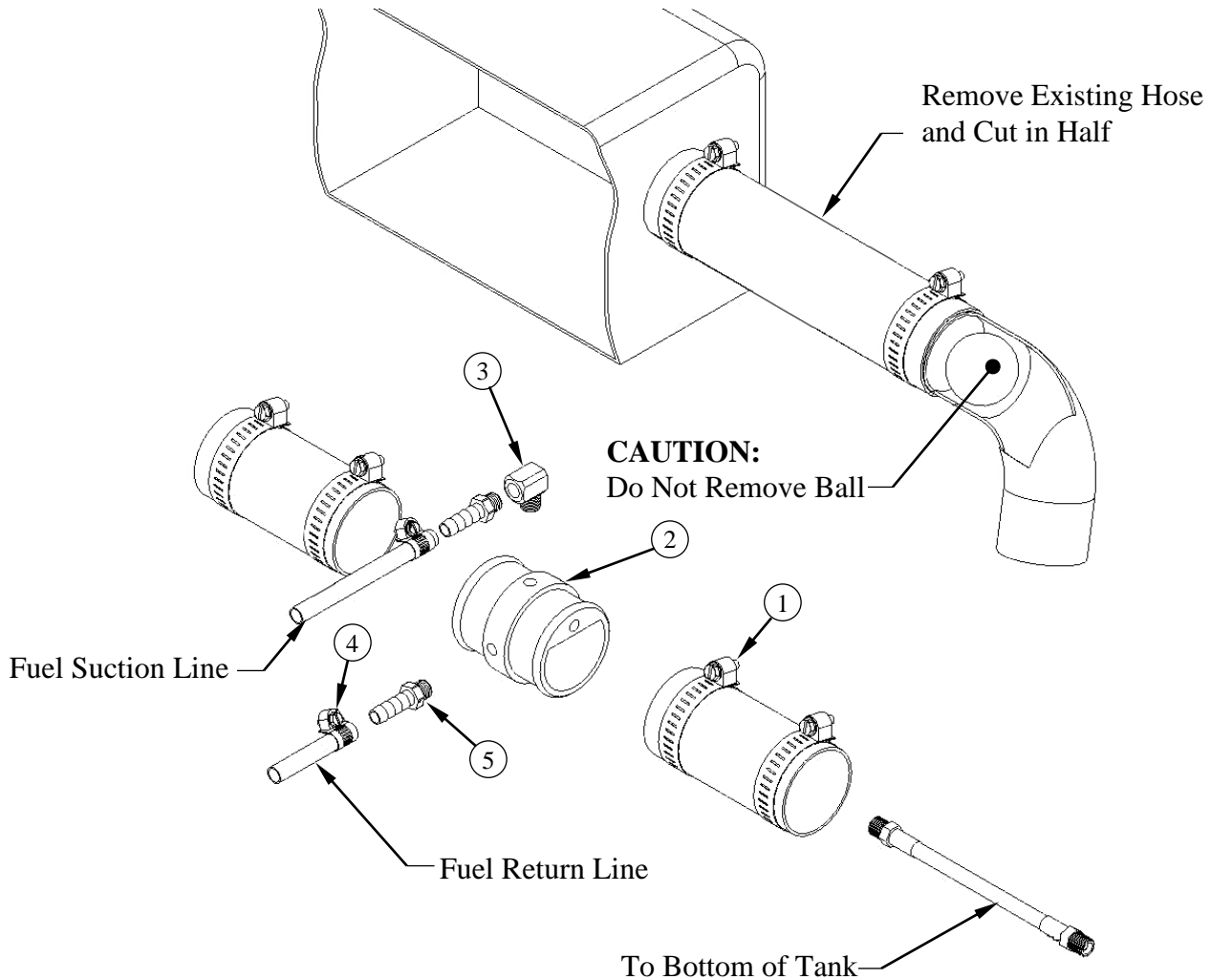


69-018FI KIT, FUEL HOOKUP 2003 CHEVY FI

Item No.	Part Number	Qty	Description
1	66-034	1	ADAPTOR, FUEL FLR CHVY 2003
2	14-006	2	CLAMP, HOSE # 20
3	18-028	1	HOSE, 3/16 X 25 (1/8P X 1/8P NO COVER)
4	14-011	6	CLAMP, HOSE FUEL # 6
5	21-038	1	ELL, STREET 1/8 IN BRASS
6	21-007	2	FTTG, BRB 1/8P X 5/16 H BR
7	21-039	2	ELL, 1/4 IN LG STREET BRASS
8	21-006	4	FTTG, BRB 1/4P X 5//16H BR
9	21-086	2	FTTG, BULKHEAD 1/4 IN BRASS

SECTION 5

1997-2002 DODGE FULL SIZE VAN FUEL LINE
INSTALLATION



69-004FI KIT, FUEL HOOKUP CHEVY/DODGE

Item No.	Part Number	Qty	Description
1	14-010	2	CLAMP, HOSE # 32
2	66-030	1	ADAPTOR,FUEL NECK(CHEVY)
3	21-038	1	ELL, STREET 1/8 IN BRASS
4	14-011	6	CLAMP, HOSE FUEL # 6
5	21-007	2	FTTG, BRB 1/8P X 5/16 H BR
6	18-028	1	HOSE, 3/16 X 25 (1/8P X 1/8P NO COVER)
7	21-086	2	FTTG, BULKHEAD 1/4 IN BRASS
8	21-006	4	FTTG, BRB 1/4P X 5//16H BR
9	21-039	2	ELL,1/4 IN LG STREET BRASS

SECTION 5

Fuel Line Bulkhead Installation (Inside Vehicle)

1. Select an appropriate location on the vehicle floor away from operator or maintenance traffic and away from contact with any accessories or tools while in use or transit. Make sure your hole is within adequate reach of the supplied hose in the finished assembly.
2. Drill a 3/4 inch hole through the vehicle floor at the location chosen for the bulkhead connector.
3. Install the bulkhead connector by inserting the fitting and tightening the nut and lock washer on the opposite side of the vehicle floor.
4. Inside the vehicle, attach the hose barb fitting and connect the fuel line from the console.
5. Drill a 1/2 inch hole nearby the bulkhead fitting for the fuel pump electrical extension harness to pass through.

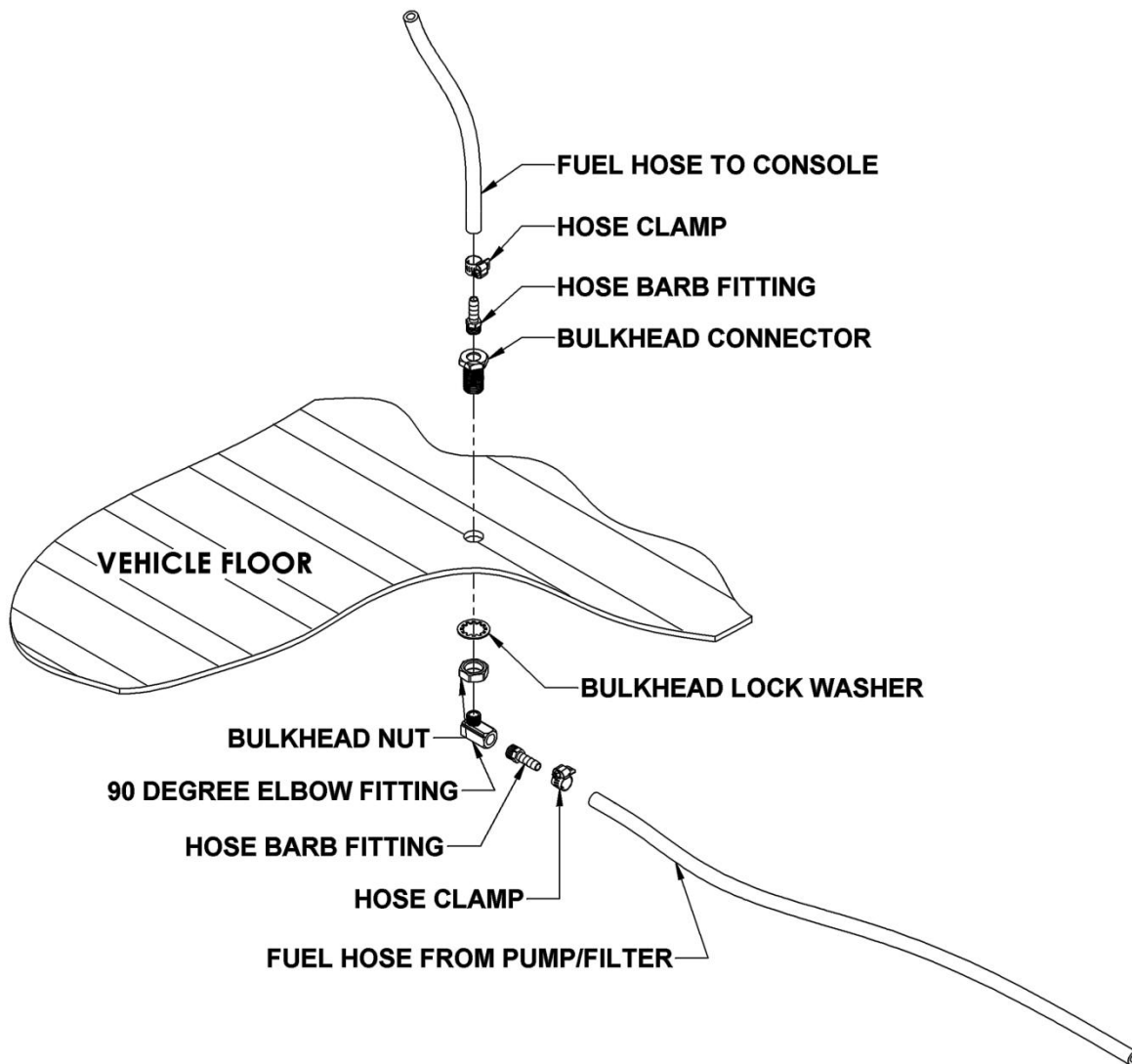


Figure 1. Fuel Line Bulkhead Assembly

SECTION 5

Fuel Pump Assembly Installation (Underneath the Vehicle Floor)

1. Locate an appropriate location for the fuel pump assembly housing to mount underneath the vehicle that will not cause damage to the vehicle or compromise the fuel line routing or components.
2. Remove the housing lid from the fuel pump assembly.
3. Use the supplied Tek screws to install the lid of the fuel pump housing to the vehicle.

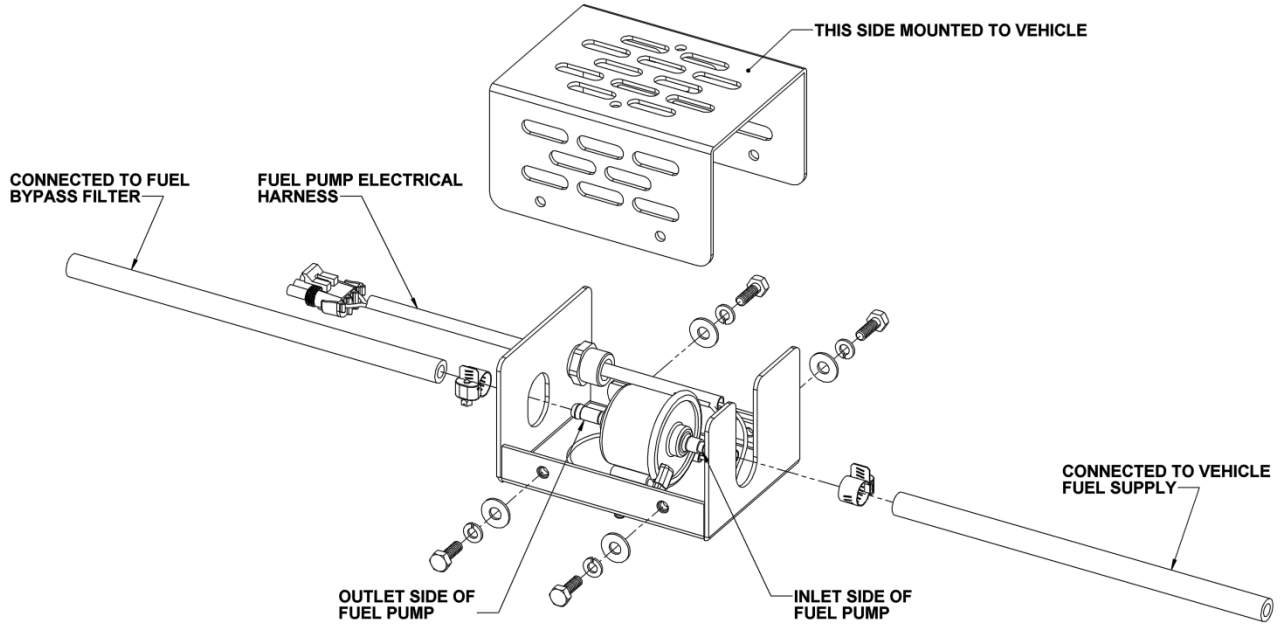


Figure 2. Fuel Pump Assembly Detail

SECTION 5

Fuel Supply & Return Line Installation (Underneath the Vehicle Floor)

1. Refer to the transfer flow kit instructions found with the appropriate kit for your vehicle.
2. Connect the fuel line from the transfer flow kit to the inlet side of the fuel pump.
3. Connect the outlet side of the fuel pump to the inlet side of the fuel bypass filter.
4. Connect the return line from the bypass filter return port back to the vehicle fuel supply.

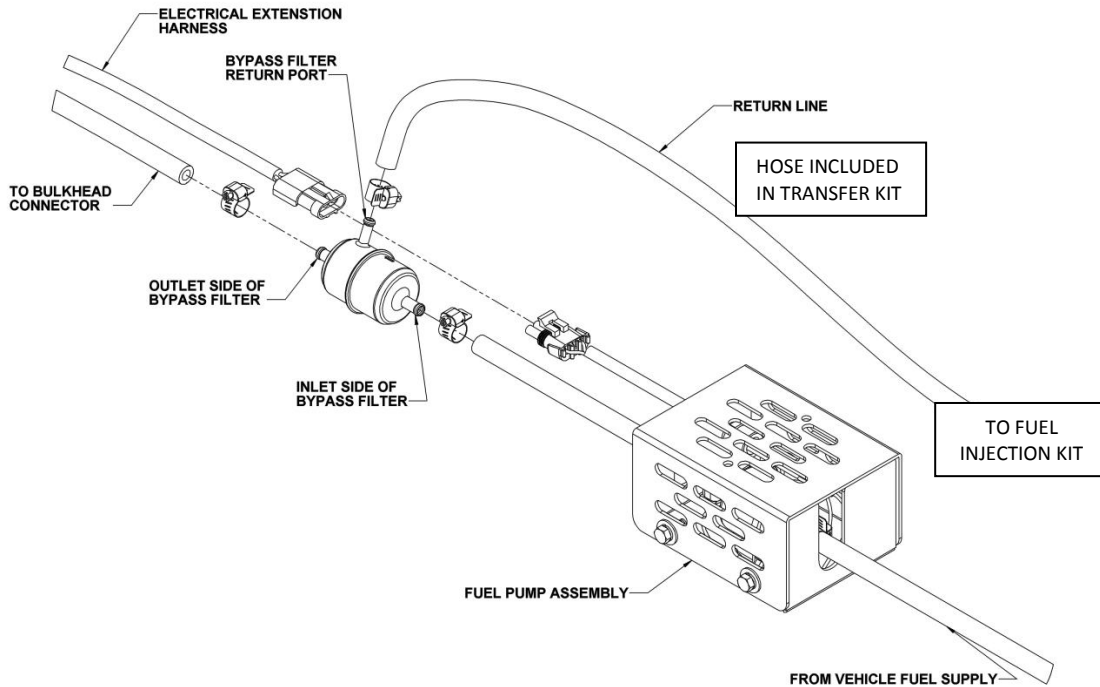


Figure 3. Fuel Pump and Filter Detail

5. Attach the 90 degree elbow and hose barb fittings to the bulkhead connector underneath the vehicle.
6. Connect a segment of hose between the outlet side of the fuel bypass filter to the hose barb fitting.
7. Ensure that all hose clamps are properly tightened.
8. Connect the electrical extension harness to the fuel pump harness, running the other end up through a hole in the floor of the vehicle, connecting to the console harness.

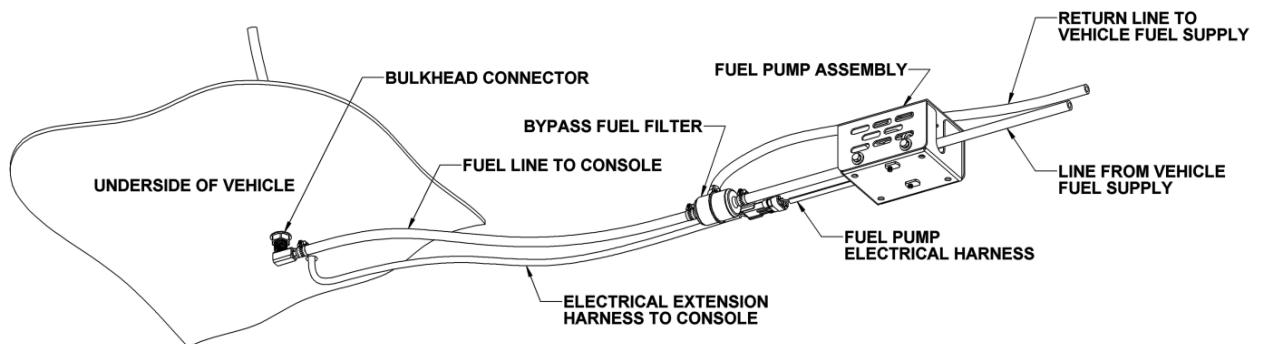


Figure 4. Vehicle Underside Fuel Line Installation