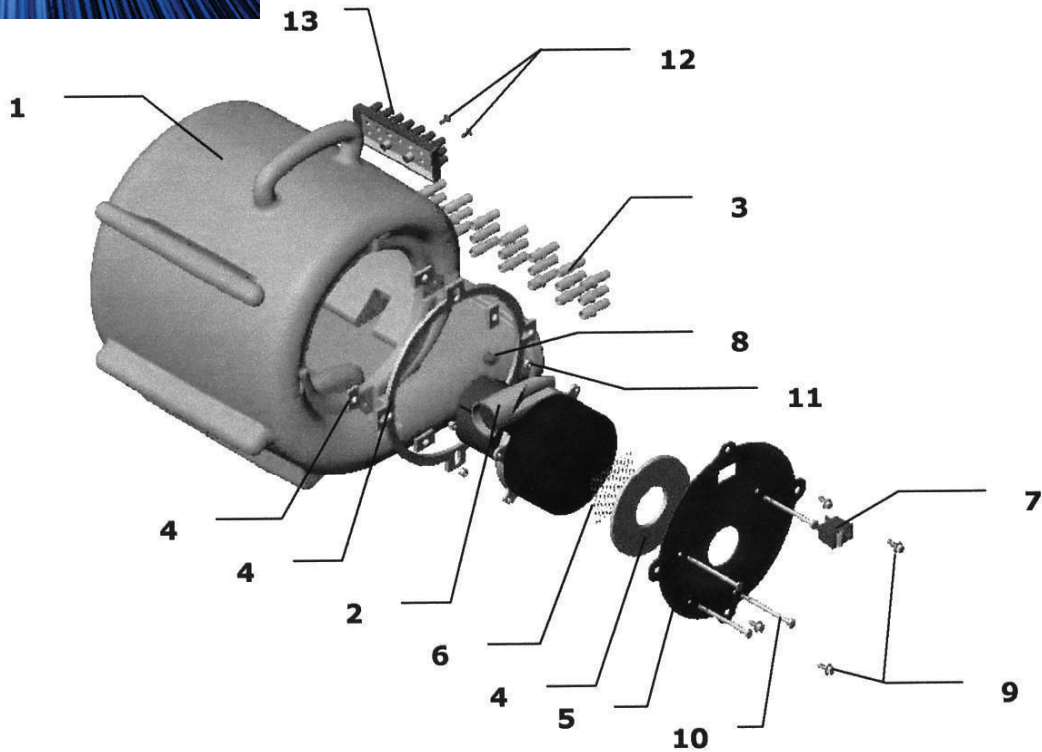


AC8400
Exploded view with
Parts List



Item	Description	Qty Req.	Part#	Item	Description	Qty Req.	Part#
1	Housing, Sm Omni Blue *	1	SM PDS OMNI BLUE	10	Bolt, 1/4-20X3.5" HCS	4	1/-20X3.5"
2	Motor, 2 Stage Vac **	1	PVE7108	11	Nut, 1/4 W/Nylon Insert	4	NM4261
3	Hose Fitting 3/8 Barb X 1/4 MIP	21	BR020	12	Screw, 10-32X1/2 Socket Cap	2	NM4061
4	Gasket Set, PDS-21	1	G100	13	Strip, 5.5x2x1.38 Plug-off Cap	1	PDS Cap Strip
5	Face Plate, PDS-21, Black	1	FPLTPDS21	14	Cords, 16/3 SJTOW Black 105C	1	Black Power Cord
6	Mesh, Face Plate	1	FPMESH	15	Screw, 4x3/8 TXP Black – E542	2	4x3/8 TXP
7	Switch, Double-pole 16A, Yellow	1	E541-1	16	Washer, Split Lock	4	NM4362
8	Thermal Switch, Bimetal	1	E542	17	Washer, #14 WSE	4	14# WSE
9	Flange Bolt, 1/4-20X3/4	4	1/4-20X3/4 FLG	Note: Items 14 – 17 Not Shown			

* Cut out nut cert side only Spectra X4175

** Brush for Vac Motor - PVE1000